



Conduits, Culverts, and Pipes Part II

Course Number: CE-02-102

PDH: 4

Approved for: AK, AL, AR, FL, GA, IA, IL, IN, KS, KY, LA, MD, ME, MI, MN, MO, MS, MT, NC, ND, NE, NH, NJ, NM, NV, NY, OH, OK, OR, PA, SC, SD, TN, TX, UT, VA, VT, WI, WV, and WY

New Jersey Professional Competency Approval #24GP00025600

North Carolina Approved Sponsor #S-0695

Maryland Approved Provider of Continuing Professional Competency

Indiana Continuing Education Provider #CE21800088

Florida Provider #0009553 License #868

NYSED Sponsor #274

This document is the course text. You may review this material at your leisure before or after you purchase the course. In order to obtain credit for this course, complete the following steps:

- 1) Log in to My Account and purchase the course. If you don't have an account, go to New User to create an account.
- 2) After the course has been purchased, review the technical material and then complete the quiz at your convenience.
- 3) A Certificate of Completion is available once you pass the exam (70% or greater). If a passing grade is not obtained, you may take the quiz as many times as necessary until a passing grade is obtained (up to one year from the purchase date).

If you have any questions or technical difficulties, please call (508) 298-4787 or email us at admin@PDH-Pro.com.



DEPARTMENT OF THE ARMY
U.S. Army Corps of Engineers
Washington, DC 20314-1000

EM 1110-2-2902

CECW-ED

Manual
No. 1110-2-2902

31 October 1997

**Engineering and Design
CONDUITS, CULVERTS, AND PIPES**

- 1. Purpose.** This manual provides (a) guidance on the design and construction of conduits, culverts, and pipes, and (b) design procedures for trench/embankment earth loadings, highway loadings, railroad loadings, surface concentrated loadings, and internal/external fluid pressures.
- 2. Applicability.** This manual applies to all USACE commands having civil works responsibilities.
- 3. General.** Reinforced concrete conduits and pipes are used for dams, urban levees, and other levees where public safety is at risk or substantial property damage could occur. Corrugated metal pipes are acceptable through agricultural levees where conduits are 900-mm (36-in.) diameter and where levee embankments are not higher than 4 m (12 ft) above the conduit invert. Inlet structures, intake towers, gate wells, and outlet structures should be concrete, or corrugated metal structures may be used in agricultural and rural levees. Life cycle cost studies are required where corrugated metal pipes are used.
- 4. Distribution.** This manual is approved for public release; distribution is unlimited.

FOR THE COMMANDER:



OTIS WILLIAMS
Colonel, Corps of Engineers
Chief of Staff

CECW-ED

Manual
No. 1110-2-2902

31 October 1997

**Engineering and Design
CONDUITS, CULVERTS, AND PIPES**

Table of Contents

Subject	Paragraph	Page	Subject	Paragraph	Page
Chapter 1			Chapter 4		
Introduction			Corrugated Metal Pipe for Rural Levees and Culverts		
Purpose and Scope	1-1	1-1	General	4-1	4-1
Applicability	1-2	1-1	Materials	4-2	4-3
References	1-3	1-1	Installation	4-3	4-4
Life Cycle Design	1-4	1-1	Loadings	4-4	4-4
Supportive Material	1-5	1-2	Methods of Analysis	4-5	4-4
General	1-6	1-2	Joints	4-6	4-5
Chapter 2			Camber	4-7	4-5
Cast-in-Place Conduits for Dams			Chapter 5		
General	2-1	2-1	Concrete Culverts		
Materials	2-2	2-2	General	5-1	5-1
Installation	2-3	2-2	Materials	5-2	5-1
Loadings	2-4	2-2	Installation	5-3	5-1
Special Conditions	2-5	2-9	Loadings	5-4	5-1
Methods of Analysis	2-6	2-9	Methods of Analysis	5-5	5-4
Reinforcement	2-7	2-9	Joints	5-6	5-5
Joints	2-8	2-11	Camber	5-7	5-7
Waterstops	2-9	2-11	Chapter 6		
Camber	2-10	2-11	Plastic Pipe for Other Applications		
Chapter 3			General	6-1	6-1
Circular Reinforced Concrete Pipe for Small Dams and Levees			Materials	6-2	6-1
General	3-1	3-1	Installation	6-3	6-2
Materials	3-2	3-1	Loadings	6-4	6-6
Installation: Small Dams	3-3	3-1	Methods of Analysis	6-5	6-6
Materials: Levees	3-4	3-4	Joints	6-6	6-9
Installation: Levees	3-5	3-5	Camber	6-7	6-9
Loadings	3-6	3-6			
Methods of Analysis	3-7	3-6			
Joints	3-8	3-9			
Camber	3-9	3-10			

Subject	Paragraph	Page
Chapter 7		
Ductile Iron Pipe and Steel		
Pipe for Other Applications		
General	7-1	7-1
Materials	7-2	7-1
Installation	7-3	7-1
Loadings	7-4	7-1
Methods of Analysis	7-5	7-1
Joints	7-6	7-2
Camber	7-7	7-2
Chapter 8		
Pipe Jacking		
General	8-1	8-1
Materials	8-2	8-1
Installation	8-3	8-1
Loadings on Installed Pipe	8-4	8-1

Subject	Paragraph	Page
Appendix A		
References		
Appendix B		
Design Examples		
Appendix C		
Evaluation and Inspection		
of Existing Systems		
Appendix D		
Repair of Existing Systems		
Appendix E		
Metric Conversion Data Sheet		

Chapter 1 Introduction

1-1. Purpose and Scope

This manual provides (a) guidance on the design and construction of conduits, culverts, and pipes, and (b) design procedures for trench/embankment earth loadings, highway loadings, railroad loadings, surface concentrated loadings, and internal/external fluid pressures.

1-2. Applicability

This manual applies to HQUSACE elements and USACE commands, districts, laboratories, and field operating activities having civil works responsibilities.

1-3. References

The references listed in Appendix A contain accepted methods to design conduits, culverts, and pipes which may be used when specific guidance is not provided in this manual. Related publications are also listed in Appendix A.

1-4. Life Cycle Design

a. General. During the design process, selection of materials or products for conduits, culverts, or pipes should be based on engineering requirements and life cycle performance. This balances the need to minimize first costs with the need for reliable long-term performance and reasonable future maintenance costs.

b. Project service life. Economic analysis used as a part of project authorization studies usually calculates costs and benefits projected for a 50- or 75-year project life. However, many USACE projects represent a major infrastructure for the Nation, and will likely remain in service indefinitely. For major infrastructure projects, designers should use a minimum project service life of 100 years when considering life cycle design.

c. Product service life. Products made from different materials or with different protective coatings may exhibit markedly different useful lives. The service life of many products will be less than the project service life, and this must be considered in the life cycle design process. A literature search (Civil Engineering Research Foundation 1992) reported the following information on

product service lives for pipe materials. In general, concrete pipe can be expected to provide a product service life approximately two times that of steel or aluminum. However, each project has a unique environment, which may either increase or decrease product service life. Significant factors include soil pH and resistivity, water pH, presence of salts or other corrosive compounds, erosion sediment, and flow velocity. The designer should investigate and document key environmental factors and use them to select an appropriate product service life.

(1) Concrete. Most studies estimated product service life for concrete pipe to be between 70 and 100 years. Of nine state highway departments, three listed the life as 100 years, five states stated between 70 and 100 years, and one state gave 50 years.

(2) Steel. Corrugated steel pipe usually fails due to corrosion of the invert or the exterior of the pipe. Properly applied coatings can extend the product life to at least 50 years for most environments.

(3) Aluminum. Aluminum pipe is usually affected more by soil-side corrosion than by corrosion of the invert. Long-term performance is difficult to predict because of a relatively short history of use, but the designer should not expect a product service life of greater than 50 years.

(4) Plastic. Many different materials fall under the general category of plastic. Each of these materials may have some unique applications where it is suitable or unsuitable. Performance history of plastic pipe is limited. A designer should not expect a product service life of greater than 50 years.

d. Future costs. The analysis should include the cost of initial construction and future costs for maintenance, repair, and replacement over the project service life. Where certain future costs are identical among all options, they will not affect the comparative results and may be excluded from the calculations. For example, costs might be identical for normal operation, inspection, and maintenance. In this case, the only future costs to consider are those for major repairs and replacement. Where replacement will be necessary during the project service life, the designer must include all costs for the replacement activities. This might include significant costs for construction of temporary levees or cofferdams, as well as significant disruptions in normal project operations.

1-5. Supportive Material

Appendix B presents design examples for conduits, culverts, and pipes. Appendixes C and D suggest outlines for evaluation of existing systems and repair of existing systems, respectively. Appendix E is a conversion factor table for metric units.

1-6. General

Reinforced concrete conduits are used for medium and large dams, and precast pipes are used for small dams, urban levees, and other levees where public safety is at risk or substantial property damage could occur. Corrugated metal pipes are acceptable through agricultural levees where the conduit diameter is 900 mm (36 in.) and when levee embankments are no higher than 4 m (12 ft) above the conduit invert. Inlet structures, intake towers, gate wells, and outlet structures should be constructed of cast-in-place reinforced concrete. However, precast concrete or corrugated metal structures may be used in agricultural and rural levees. Culverts are usually used for roadway, railway, and runway crossings.

a. Shapes. Conduits are closed shaped openings used to carry fluids through dams, levees, and other embankments. Conduit shapes are determined by hydraulic design and installation conditions. Typical shapes include circular, rectangular, oblong, horseshoe, and square sections. Circular shapes are most common. Rectangular or box-shaped conduits are generally used for large conduits through levees and for culverts carrying waterways under roads or railroads. Multiple cell configurations are commonly box shaped.

b. Loads. Conduit loadings account for earth loads, surface surcharge loads, vehicle loads, external hydrostatic pressures, and internal fluid pressures. Surface surcharge loads can be used to account for the reservoir pool water above a finished grade. Internal fluid pressure is determined by the hydraulic design of the conduit and is a concern when greater than the external pressures.

c. Materials. Construction includes cast-in-place concrete, precast concrete, steel, ductile iron, aluminum,

and plastic. In general, concrete conduits are designed as rigid conduits, and the other materials are designed as flexible conduits. In flexible conduit design, the vertical loads deflect the conduit walls into the surrounding soils, thereby developing the strength of the conduit through soil-structure interaction. Therefore, control of the backfill compaction around flexible conduits is critical to the design. Controlled backfill placement for either type of conduit minimizes pipe deflection, maintains joint integrity, and reduces water piping.

d. Joints. Joints in conduits passing through dams and levees must be watertight and flexible to accommodate longitudinal and lateral movements. Because leaking joints will lead to piping and to the premature failure of the conduit and the embankment, designers need to control conduit deflections, conduit settlements, and joint movements. Maintaining joint integrity in conduits passing through dams and levees is critical. Improperly installed pipe causes joints to leak, allows soil fines to pass through the conduit joints into the conduit, or allows internal water to pass through the conduit joints and along the outside of the conduit (piping).

e. Foundation and piping. The three common foundation problems encountered in conduit design are water piping along the outside of the conduit, the piping of soil into the conduit, the migration of soil fines into a well-washed crushed rock foundation material. Soil migration problems often lead to sink holes, which can cause embankment failure due to piping. In accordance with EM 1110-2-1913, a 450-mm (18-in.) annular thickness of drainage fill should be provided around the landside third of any conduit (Figure 1-1) regardless of type of conduit to be used, where the landside zoning of an embankment or levee does not provide for such drainage. For conduit installations with an embankment or levee foundation, the 450-mm (18-in.) annular thickness of drainage fill shall be provided and shall include provisions for a landside outlet through a blind drain to the ground surface at the levee toe, connection with pervious underseepage collection features, or an annular drainage fill outlet to the ground surface around a manhole structure.

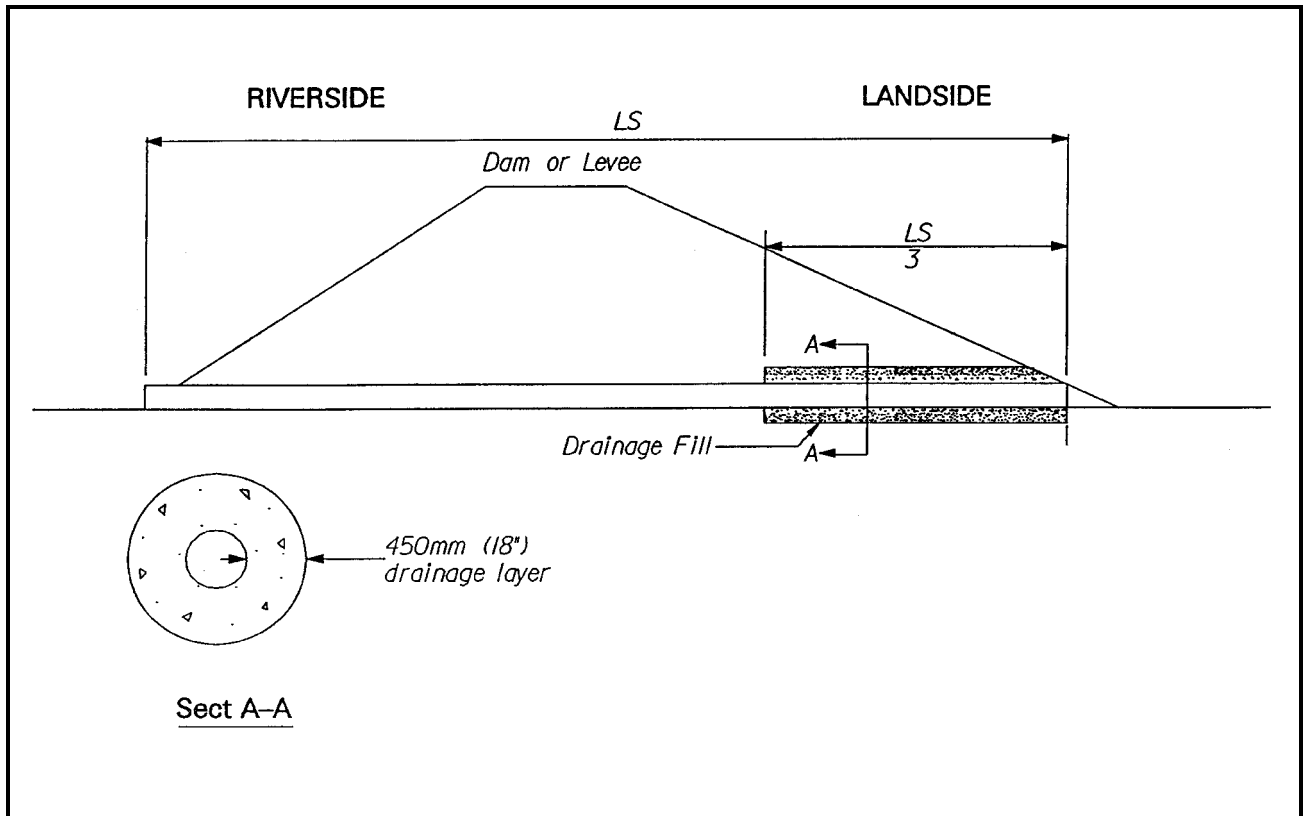


Figure 1-1. Drainage fill along conduit

Chapter 2

Cast-in-Place Conduits for Dams

2-1. General

The selection of the most economical conduit cross section must depend on the designer's judgment and the consideration of all design factors and site conditions for each application. For fills of moderate height, circular or rectangular openings will frequently be the most practicable because of the speed and economy obtainable in design and construction. For openings of less than about 5.6 m^2 (60 ft^2), a single rectangular box probably will be most economical for moderate fills up to about 18.3 m (60 ft). However, a rectangular conduit entrenched in rock to the top of the conduit may be economical for higher fills since the applied vertical load need be only the weight of the earth directly above with no increase for differential fill settlement. The ratio of height to width should be about 1.50 to accommodate the range of loading conditions economically. Where there is a battery of outlet gates, a multiple-box shape is sometimes economical where acceptable from a hydraulic standpoint.

a. Single conduits. For a single conduit of more than about 5.6-m^2 (60-ft^2) area and with a fill height over 18.3 m (60 ft), it will generally be found economical to use a section other than rectangular for the embankment loading (Condition III). The circular shapes are more adaptable to changes in loadings and stresses that may be caused by unequal fill or foundation settlement. For cases in which the projection loading condition applies, no material stress reduction results from the provision of a variable cross section. These structures should be formed as shown in Figure 2-1 and should be analyzed as a ring of uniform thickness. While these sections show variations in thickness in the lower half of the conduit due to forming and other construction expedients, such variations may be disregarded in the design without appreciable error.

b. Oblong sections. The oblong section shown in Figure 2-1 is formed by separating two semicircular sections by short straight vertical wall sections. The oblong section generally achieves maximum economy of materials by mobilizing more of the relieving fill pressure. The proportions should be selected carefully, and the tangent-length-to-radius ratio will usually be between 0.5 and 1.0. The conduit design should cover a range of possible loading conditions, from initial or construction condition to the long-time condition. Here also, a geologist

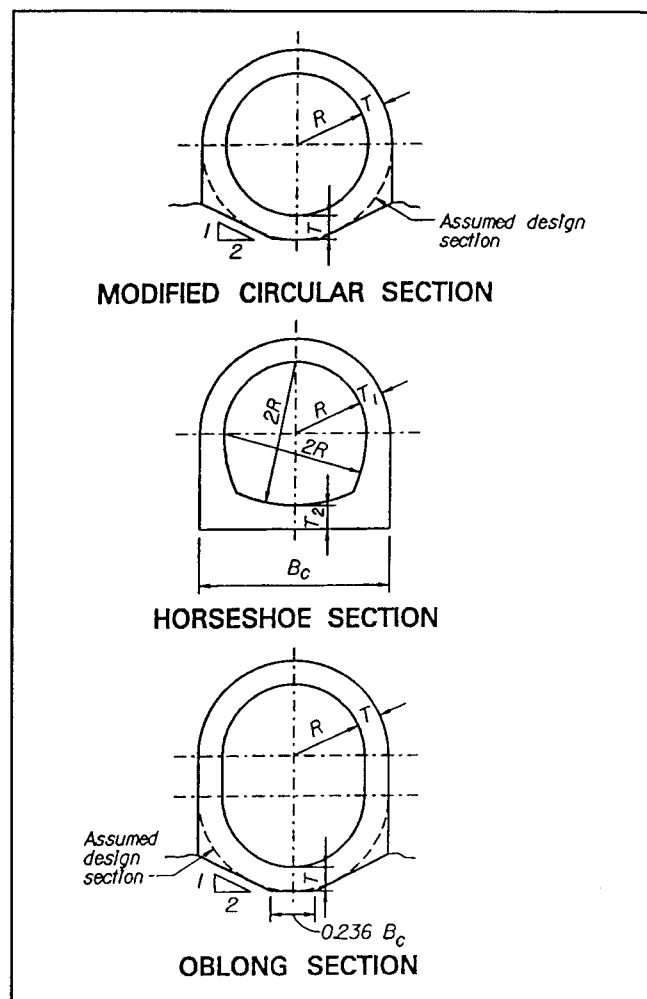


Figure 2-1. Typical cast-in-place conduits

or soils engineer should be consulted before final determination of the base shape of a conduit.

c. Horseshoe sections. The "horseshoe" section in Figure 2-1 is generally less economical than the oblong and is therefore not often used. Its stress distribution is not as desirable as that of the circular or oblong section, and shear stirrups may be required in the base. It may be practicable, however, for some foundation conditions where the fill height is low.

d. Interbedded foundations. It may be difficult to shape the foundation excavation when in closely bedded, flat-lying shale, or when in rock with frequent shale interbeds. For this condition, it may be economical to excavate the foundation level and backfill to the desired shape with a low-cement-content concrete. A geotechnical engineer should be consulted to help develop the

excavation plan. Excavation drawings should show the pay excavation lines and not the actual excavation lines. For a conduit under a dam, the designer should show the actual excavation lines rather than the pay excavation lines and the contractor should limit excavation to the actual excavation lines.

2-2. Materials

a. Concrete. Minimum compressive strength 28 MPa (4,000 psi) air entrained.

b. Reinforcement. Minimum yield strength, Grade 400 MPa (60,000 psi).

2-3. Installation

Conduits through dams are cast directly against the soil or rock and, therefore, bedding is not a design consideration. When overexcavation of the foundation materials is required, concrete fill should be used to maintain proper conduit grade. All foundation materials for cast-in-place conduits should be reviewed by a geotechnical engineer.

2-4. Loadings

Typical conduit loads are shown in Figure 2-2. The conduit supports the weight of the soil and water above the crown. Internal and external fluid pressures and lateral soil pressures may be assumed as uniform loads along the horizontal axis of the conduit when the fluid head or fill height above the crown is greater than twice the conduit diameter or span. Foundation pressures are assumed to act uniformly across the full width of cast-in-place conduits. Uplift pressures should be calculated as uniform pressure at the base of the conduit when checking flotation.

a. Groundwater and surcharge water. Because of the ratio of vertical to horizontal pressure, the most severe loading condition will generally occur when the reservoir is empty and the soil is in a natural drained condition. However, the following loads occur where there is groundwater and/or surcharge water.

(1) Vertical pressure. Use Equation 2-1 to determine vertical pressure due to the weight of the natural drained soil above the groundwater surface, the weight of the submerged soil below the groundwater surface, and the weight of the projected volume of water above the conduit, including any surcharge water above the fill surface.

$$W_w = \gamma_d H_d$$

or

$$W_w = \gamma_d H_d + \gamma_s H_s \quad (2-1)$$

$$W_w = \gamma_w H_w + (\gamma_s - \gamma_w) H_s$$

where

W_w = vertical pressure due to prism of soil above pipe, N/m² (psf)

γ = soil unit weight; d = dry, s = saturated,
 w = water, N/m³ (pcf)

H = soil height; d = dry, s = saturated soil, m (ft)

H_w = water height above the point of interest, m (ft)

(2) Horizontal pressure. Horizontal pressure from the lateral earth pressure is obtained by using soil weights for the appropriate moisture conditions and full hydrostatic pressure.

b. Internal water pressure. Internal water pressure should be considered but will seldom govern the design for the usual type of outlet works. However, internal pressures must be analyzed as indicated in Equation 2-2 for pressure conduits for interior drainage in local protection projects.

$$W_i = \gamma_w (H_G \pm r) \quad (2-2)$$

where

W_i = internal pressure at point of interest, N/m² (psf)

γ_w = unit weight of water, 9.8 kN/m³ (62.4 pcf)

H_G = hydraulic gradient above point of interest, m (ft)

r = inside radius of conduit, m (ft)

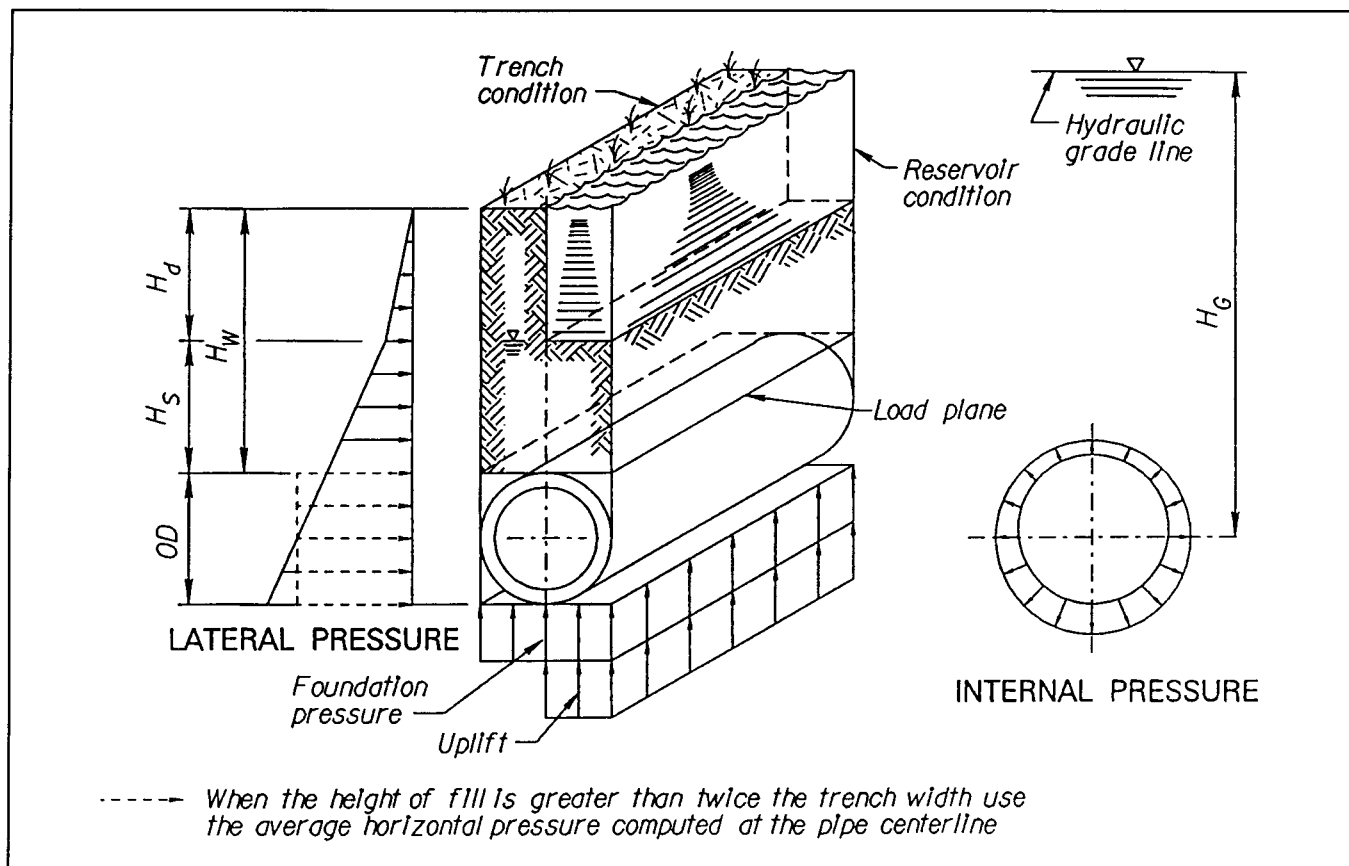


Figure 2-2. Typical conduit loadings

c. Concentrated live loads.

(1) Vertical pressure. Because soil conditions vary, designers can expect only a reasonable approximation when computing vertical pressures resulting from concentrated surface loads. The Boussinesq method is commonly used to convert surface point loads to vertical stress fields through the geometric relationship shown in Equation 2-3. This equation may be used for all types of soil masses including normally consolidated, overconsolidated, anisotropic, and layered soils. Stresses calculated by using this method are in close agreement with measured stress fields, and examples for using Equation 2-3 are shown in Figure 2-3.

$$W_c = \frac{3Pz^3}{2\pi R^5} \quad (2-3)$$

where

W_c = vertical pressure due to concentrated load, N/m^2 (psf)

P = concentrated load, N (lb)

z = depth to pressure surface, m (ft)

R = radial distance to pressure surface, m (ft)

(2) Horizontal pressure. Lateral loads caused by vehicles can be safely ignored due to their transient nature. However, a minimum lateral pressure of 0.005 of the wheel load for vehicles to a depth of 2.4 m (8 ft) should be considered in accordance with American Society for Testing and Materials (ASTM) C 857. For stationary surcharge loads, a lateral pressure can be calculated by using a Boussinesq equation such as Equation 2-4.

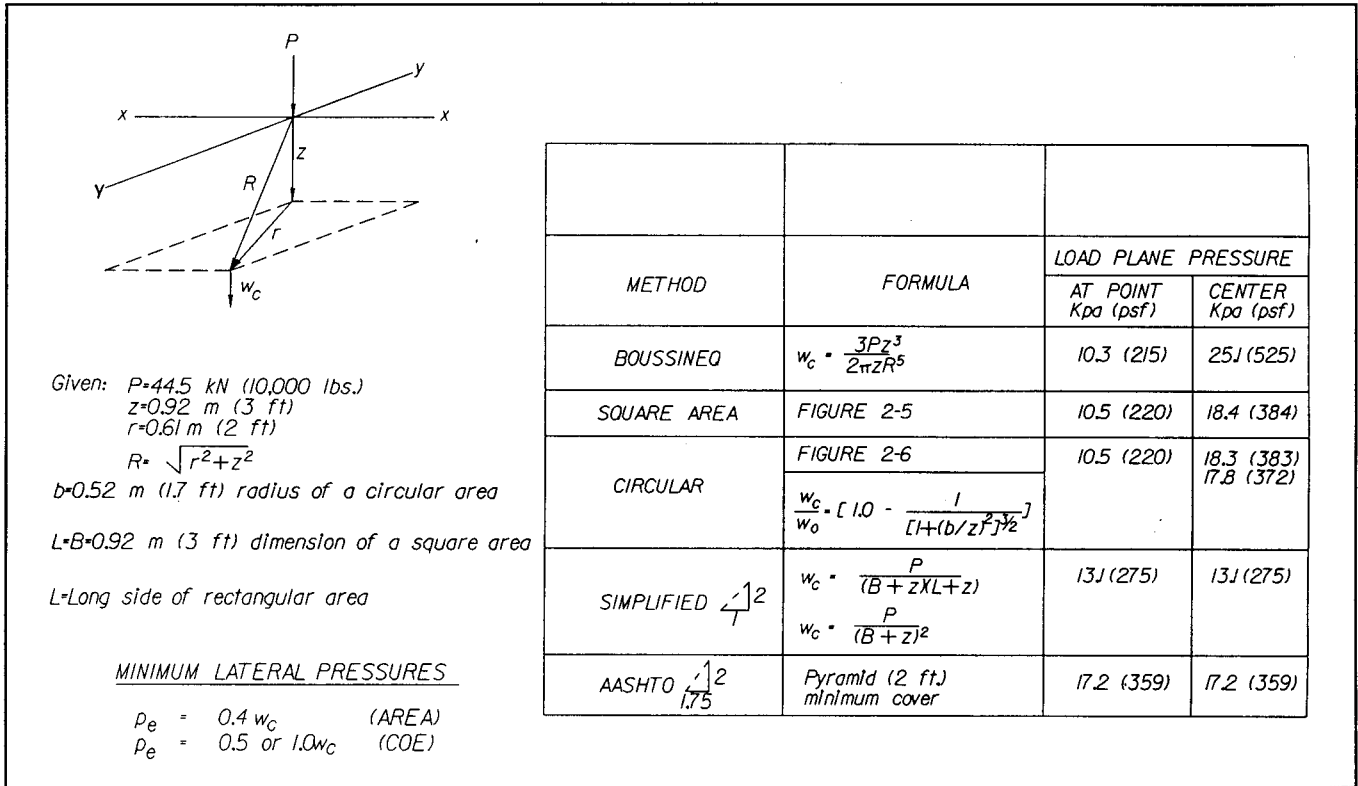


Figure 2-3. Typical live load stress distribution

$$p_c = \frac{P}{2\pi} \left(\frac{3zr^2}{R^5} - \frac{(1-2\mu)}{R(R+z)} \right) \quad (2-4)$$

where

p_c = horizontal pressure from concentrated load, N/m^2 (psf)

r = surface radius from point load P , m (ft)

R = radial distance to point in question, m (ft)

μ = Poisson's ratio, 0.5 for saturated cohesive soils or 0.2 to 0.3 for other soils

Consult a geotechnical engineer for lateral loads from other surcharge conditions.

(3) Wheel loads. For relatively high fills, Equation 2-3 will give reasonably accurate results for highway and railroad wheel loads and the loads on relatively small footings. However, where the conduit is near the surface or where the contact area of the applied load is large,

these loads must be divided into units for a more accurate analysis. The use of influence charts as developed by Newmark (1942) will be helpful in computing the stress due to loads on relatively large and irregular areas.

d. Backfill. The behavior of the soil pressures transmitted to a conduit or culvert by the overlying fill material is influenced by the physical characteristics and degree of compaction of the soil above and adjacent to the conduit or culvert as well as the degree of flexibility and the amount of settlement of the conduit or culvert. The effect of submergence in the backfill must also be considered as indicated in Figure 2-2. Direct measurements of such pressures have been made for small-diameter pipes under relatively low fills. Until more data are available, the following loading should be used for rigid conduits and culverts for dams and levees and outlet conduits for interior drainage. The effect of submergence in the backfill must be considered. The three typical conduit installation conditions are trench, trench with superimposed fill, and embankment. Terms for these loading conditions are defined in Figure 2-4.

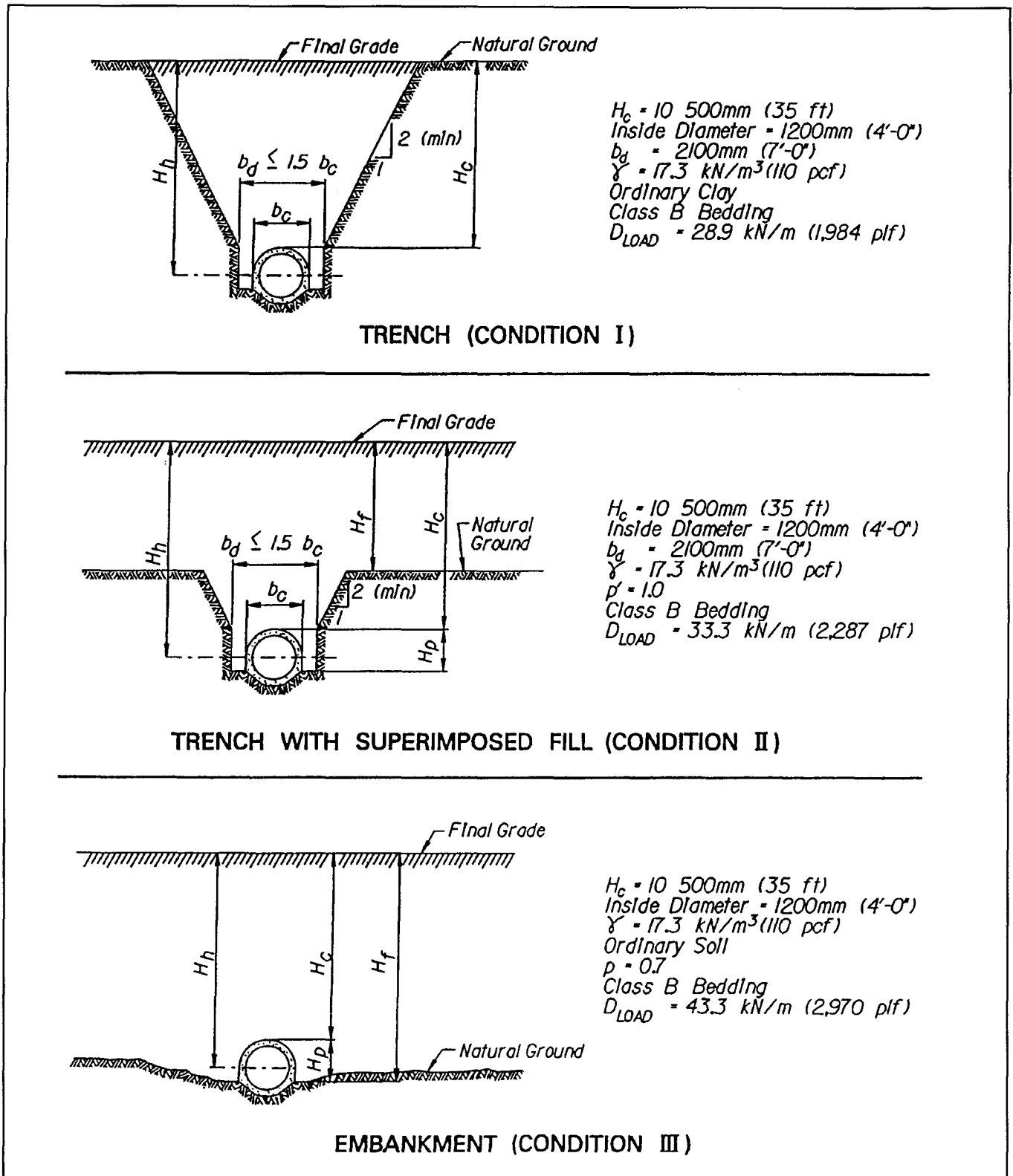


Figure 2-4. Loading conditions for conduits

(1) Trench with no superimposed fill (Condition I).

(a) Loads from the trench backfill condition are applied to those structures that are completely buried in a trench with no superimposed fill above the top of the trench. To satisfy this condition, the width of the trench measured at the top of the conduit should be no greater than one and one-half times the overall width of the conduit, and the sides of the ditch above the top of the conduit should have a slope no flatter than one horizontal to two vertical. The total dead load of the earth at the top of the conduit should be computed as the larger of the two values obtained from Equations 2-5 through 2-7.

$$W_e = C_d \gamma B_d^2 \quad (2-5)$$

or

$$W_e = \gamma B_c H \quad (2-6)$$

$$C_d = \frac{1 - e^{-2 K\mu' \frac{H}{B_d}}}{2 K\mu'} \quad (2-7)$$

where

W_e = total dead load of earth at top of conduit, N/m (lbf/ft)

C_d = trench coefficient, dimensionless

B_d = trench width at top of conduit $< 1.5 b_c$, m (ft)

B_c = outside diameter of conduit, m (ft)

H = variable height of fill, m (ft). When $H_c \geq 2B_d$,
 $H = H_h$. When $H_c < 2B_d$, H varies over the height of the conduit.

μ' = soil constant, dimensionless

Values for $K\mu'$ and C_d can be taken from Figure 2-5.

(b) When the height of the fill above the top of the conduit (H_c) is less than twice the trench width, the horizontal pressure should be assumed to vary over the height of the conduit. When H_c is equal to or greater than $2B_d$, the horizontal pressure may be computed at the center of the conduit using an average value of H equal to H_h

applied uniformly over the height of the conduit. When $H_c < 2B_d$, the horizontal pressure in N/m² (psf) at any depth should be computed using Equation 2-8.

$$p_e = \gamma H \tan^2 \left(45 - \frac{\phi}{2} \right) = K_a \gamma H \quad (2-8)$$

where

p_e = horizontal earth pressure, N/m² (psf)

γ = unit weight of fill, N/m³ (pcf)

ϕ = angle of internal friction of the fill material, degrees

K_a = active pressure coefficient, N (lb)

(c) In most cases, the unit weight and the internal friction angle of the proposed backfill material in dry, natural drained, and submerged conditions should be determined by the laboratory and adapted to the design. However, where economic conditions do not justify the cost of extensive investigations by a soils laboratory, appropriate values of unit weight of the material and its internal friction angle should be determined by consultation with the soils engineer.

(d) Where submergence and water surcharge are applicable, the loadings must be modified. To obtain the total vertical load, the weight of the projected volume of water above the conduit, including any surcharge water above the fill surface, is added to the larger value of W_e obtained by using the submerged weight of the material used in Equations 2-5 and 2-6. The horizontal pressure is obtained by adding the full hydrostatic pressure to the pressure found by Equation 2-8 using the submerged weight of material.

(2) Trench with superimposed fill (Condition II).

(a) This loading condition applies to conduits that are completely buried in a trench with a superimposed fill H_f above the top of the trench. The trench width and side slopes have the same limitations as specified for the trench condition. The vertical and horizontal unit loads for this loading condition vary between the computed values for the Conditions I and III (trench and embankment conditions) in proportion to the ratio $H_f/(H_c + H_p)$. The vertical load, in N/m (pounds per foot) of conduit length, for the Condition II (trench with superimposed fill) should be computed as the larger of the two values obtained from Equations 2-9 and 2-10.

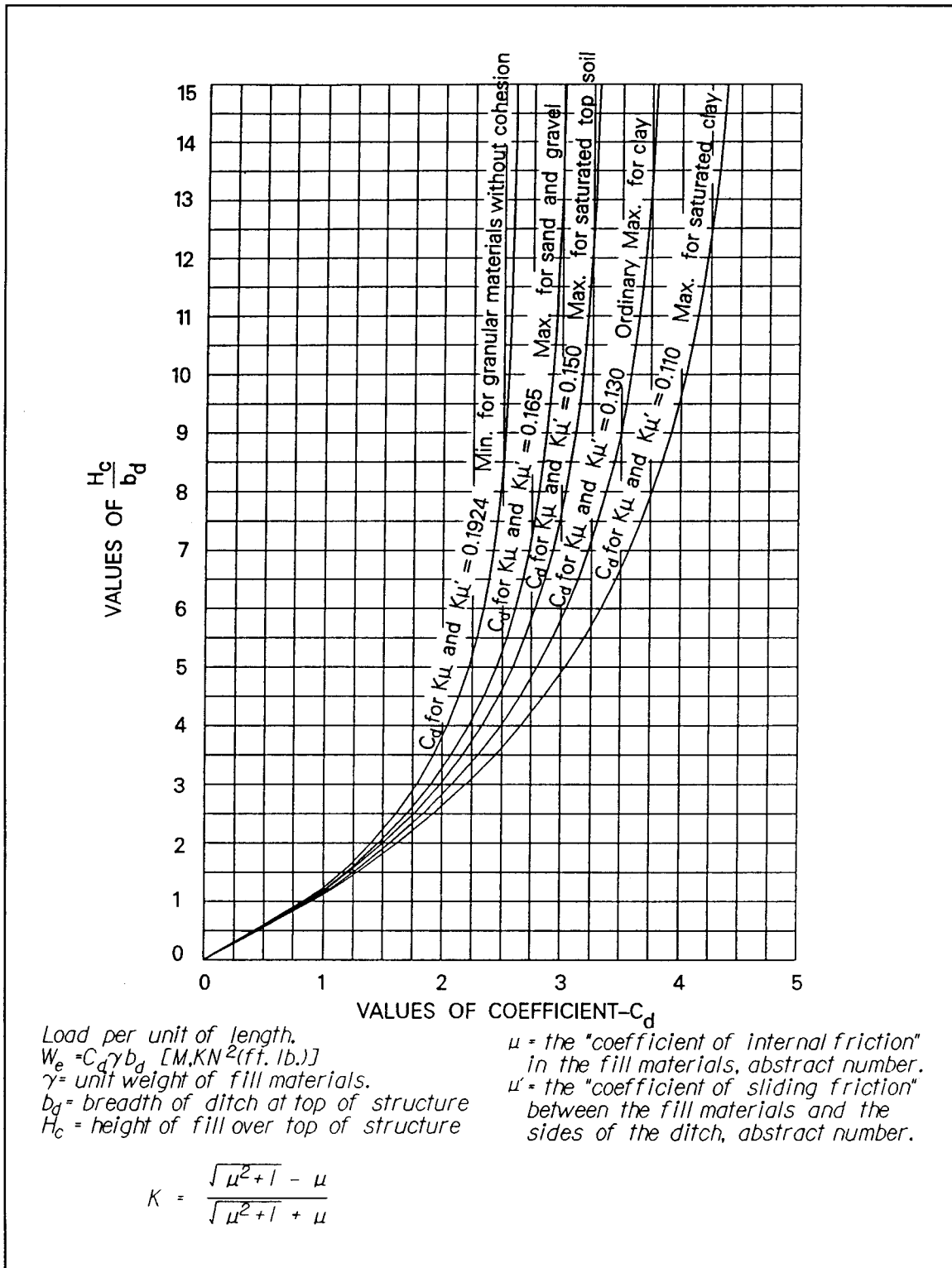


Figure 2-5. Earth loads trench condition

$$W_e = C_d \gamma b_d^2 + \left(\frac{H_f}{H_c + H_p} \right) (1.5 \gamma b_c H_h - C_d \gamma b_d^2) \quad (2-9)$$

or

$$W_e = \gamma b_c H_h + \left(\frac{H_f}{H_c + H_p} \right) (1.5 \gamma b_c H_h - \gamma b_c H_h) \quad (2-10)$$

where

γ = unit weight of fill, N/m³ (pcf)

b_d = trench width, m (ft), $b_d \leq 1.5 b_c$

H_f = height of superimposed fill above the top of the trench, m (ft)

H_c = height of fill above top of conduit, m (ft)

H_p = height of conduit above level adjacent foundation, m (ft)

b_c = outside dimension of conduit, m (ft)

H_h = height of fill above horizontal diameter of conduit, m (ft)

(b) For low fills it may be desirable to use an effective height slightly less than H_h . The horizontal pressure for Condition II loading is determined using Equation 2-11.

$$p_e = \gamma H \tan^2 \left(45^\circ - \frac{\phi}{2} \right) + \left(\frac{H_f}{H_c + H_p} \right) \left[0.5 \gamma H - \gamma H \tan^2 \left(45^\circ - \frac{\phi}{2} \right) \right] \quad (2-11)$$

where

H = variable height of fill above conduit, m (ft)
(see definition, paragraph 2-4d(1)(a))

(c) For loading cases with submergence and water surcharge, the horizontal and vertical earth pressures should be similarly proportioned between the results obtained for Conditions I and III (trench and embankment conditions) with surcharge added to the hydrostatic pressure.

(3) Embankments (Condition III).

(a) Condition III applies to conduits and culverts that project above an embankment subgrade and to conduits and culverts in ditches that do not satisfy the requirements of Condition I or II. For this condition, the design should cover a range of possible loading conditions from the initial condition to the long-time condition by satisfying two extreme cases: Case 1, with $p_e/W_e = 0.33$ ($W_e = 150$ percent vertical projected weight of fill material, lateral earth pressure coefficient $k = 0.50$); and Case 2, $p_e/W_e = 1.00$ ($W_e = 100$ percent vertical projected weight of fill material, $k = 1.00$). The total vertical load in N/m (lb/ft) for this condition should be computed as shown in Equations 2-12 and 2-13:

$$\text{For Case 1, } W_e = 1.5 \gamma b_c H_h \quad (2-12)$$

$$\text{For Case 2, } W_e = \gamma b_c H_h \quad (2-13)$$

or the unit vertical load N/m² (psf), W_e , as given by Equations 2-14 and 2-15:

$$\text{For Case 1, } W_e = 1.5 \gamma H_h \quad (2-14)$$

$$\text{For Case 2, } W_e = \gamma H_h \quad (2-15)$$

The horizontal loading N/m² (psf) should be taken as shown in Equations 2-16 and 2-17:

$$\text{For Case 1, } p_e = 0.5 \gamma H \quad (2-16)$$

$$\text{For Case 2, } p_e = \gamma H \quad (2-17)$$

Normal allowable working stresses should apply for both Case 1 and Case 2.

(b) Where submergence and water surcharge are applicable, their effects must be considered as for Condition I. In such cases, the vertical load as computed by Equations 2-12 through 2-17, using the submerged weight of the material should be increased by the weight of the projected volume of water above the conduit including any surcharge water above the fill surface. When a clay

blanket is applied to the face of the dam, the weight of water above the blanket must be included but the soil weight below the blanket and above the phreatic line (or the line of saturation where capillarity exists) is that for the natural drained condition. The horizontal unit pressure is found by adding full hydrostatic pressure to the value of p , obtained from Equation 2-16 or 2-17 using the submerged weight of the material.

2-5. Special Conditions

a. General. If conditions are encountered that warrant deviation from the loading criteria discussed above, justification for the change should be submitted with the analysis of design. However, the designer must first select the most economical method of installation. Where the rock surface occurs above the elevation of the bottom of the conduit, the designer should investigate the relative costs of excavating away from the conduit and backfilling between the conduit and the excavation line, allowing sufficient space between the conduit and the excavation line for operation of compaction rollers, and placing the conduit directly against rock as indicated for the following conditions.

b. Walls cast against rock. Where the conduit walls are placed directly against rock and the rock surface is at or above the top of the crown, the soil weight should be taken as 1.0 times the weight of material above, rather than 1.5, and the lateral pressure should be hydrostatic only, where applicable. Where the rock surface is at an intermediate level between crown and invert, use judgment to select a value between 1.0 and 1.5 to multiply by the weight of material above to obtain the correct soil design load. Lateral soil pressure should be applied only above the rock level and hydrostatic pressure as applicable over the full height of conduit. For either of these cases, the condition with no hydrostatic pressure should also be considered.

2-6. Methods of Analysis

Cast-in-place conduits can be designed using simplified elastic analysis or with finite element codes. Specialized finite element codes are available that feature nonlinear soil elements. These specialized codes provide the most accurate analysis. If these codes are not available, general finite element codes can be used, but they may need to be calibrated to the actual soil conditions. The finite element approach lends itself to parametric studies for rapid analysis of various foundation, bedding, and compaction conditions. Consult a geotechnical engineer for determination of soil spring constants to be used in the finite

element model. Both concrete thickness and reinforcing steel area should be varied to obtain the best overall economy.

a. Finite element analysis. Finite element analysis is a useful method to design sections with unique shape for various field stresses. This method can be used to approximate the soil-structure interaction using spring foundations and friction between elements. These models calculate flexure and shear loads on the design section directly from soil-structure interaction relationships. The design of reinforcement for flexure and shear should be in accordance with EM 1110-2-2104. When the inside face steel is in tension, the area of steel needs to be limited to reduce the effects of radial tension. Therefore, limits on the amount of inside face steel that can be developed are necessary to prevent interior face concrete spalls or "slabbing failures." If more steel is required to develop the flexural capacity of the section, use radial ties. They should be designed in accordance with American Concrete Institute (ACI) 318 for shear reinforcement.

b. Curvilinear conduits and culverts (CURCON). This Computer-Aided Structural Engineering (CASE) program performs a structural analysis for conduit shapes including horseshoe, arch, modified oblong, and oblong sections with constant thickness, base fillets, or a square base. Loads that can be analyzed include groundwater and surcharge water in embankment backfills.

2-7. Reinforcement

a. Minimum longitudinal. Longitudinal reinforcement should be placed in both faces of the conduit as shown in Figure 2-6. The minimum required area of reinforcement should not be less than 0.0028 times the gross area of concrete, half in each face, with a maximum of #30M at 300 mm (#9 at 12 in.) in each face. Generally, the same reinforcement will be in each face. Maximum spacing of bars should not exceed 450 mm (18 in.).

b. Minimum transverse. Minimum transverse reinforcement should be placed in both inside and outside faces. Minimum required area of transverse steel, even when not carrying computed stresses, should not be less than 0.002 times the nominal area of concrete in each face, but not more than #25M at 300 mm (#8 at 12 in.) in each face, unless required to carry the computed stresses. Compression reinforcement in excess of this minimum should not be used.

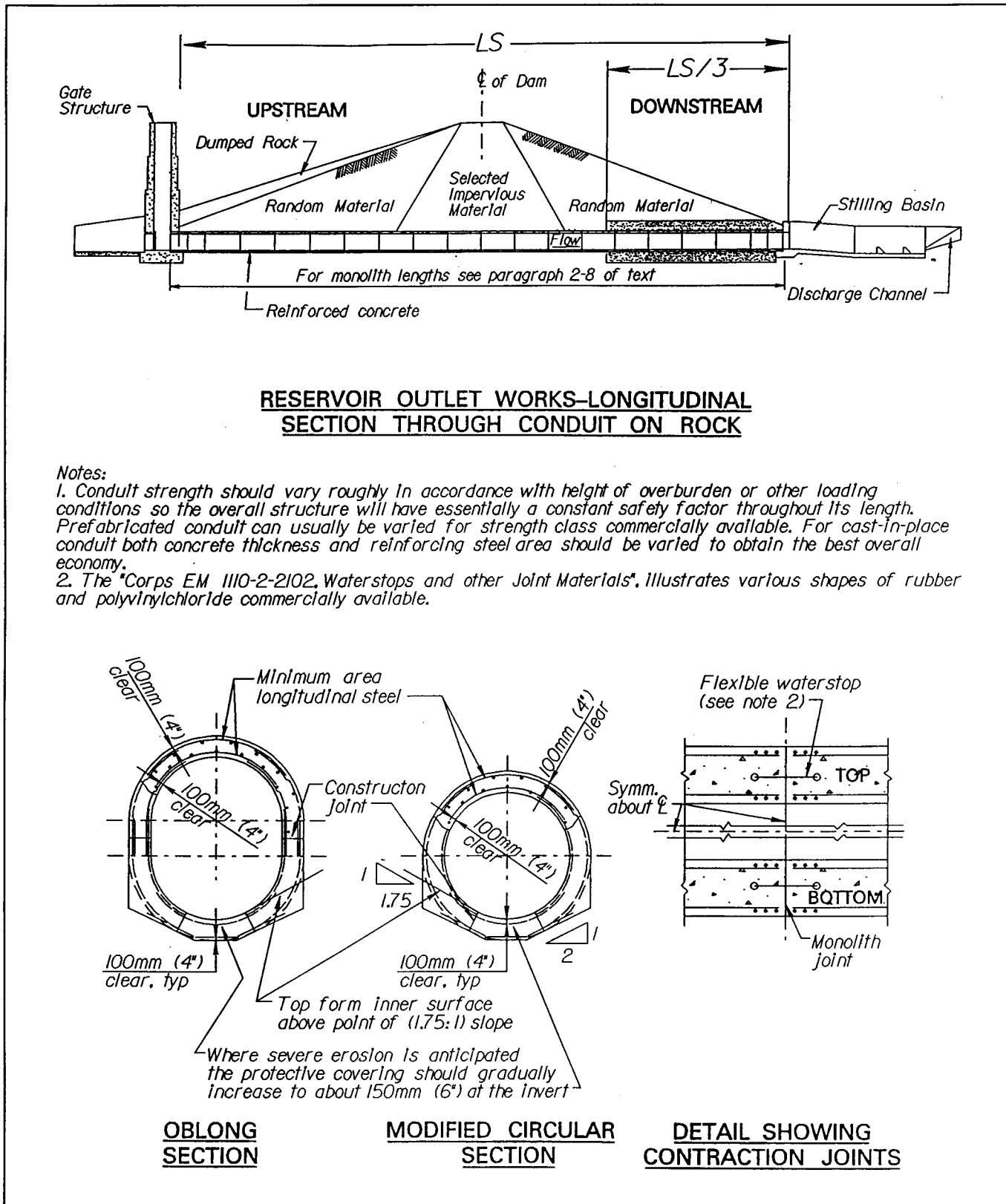


Figure 2-6. Typical conduit details (large dams)

c. *Minimum cover.* Minimum concrete cover of reinforcement should not be less than 100 mm (4 in.).

2-8. Joints

a. *Transverse monolith joints.* Maximum contraction joint spacing should not exceed 6 m (20 ft) on earth foundations and 9 m (30 ft) on rock, as shown in Figure 2-6. When large settlements are expected, these maximum spacings should be reduced to allow for more movement in the joint. A geotechnical engineer should be consulted for soil settlements.

b. *Longitudinal construction joints.* The position of the longitudinal construction joints indicated in Figure 2-6 can be varied to suit the construction methods used. When circular and oblong conduits are used, the concrete in the invert section should be top-formed above the point where the tangent to the invert is steeper than 1 vertical on 1.75 horizontal.

2-9. Waterstops

Flexible-type waterstops should be used in all transverse contraction joints, as shown in Figure 2-6. Guidance on the selection of waterstop materials is given in EM 1110-2-2102. Where large differential movement is expected, a center-bulb-type waterstop and a joint separation of approximately 13 mm (1/2 in.) should be used. When the conduit rests on a rather firm foundation, a two-bulb or equivalent type waterstop should be used with a joint separation of approximately 6 mm (1/4 in.). For conduit on rock foundations with little expected deformation, the joint should be coated with two coats of mastic and an appropriate waterstop should be used.

2-10. Camber

When conduits are cast-in-place, large settlements are usually not a major concern. However, where considerable foundation settlements are likely to occur, camber should be employed to ensure positive drainage.

Chapter 3 Circular Reinforced Concrete Pipe for Small Dams and Levees

3-1. General

Reinforced concrete pipe should be used for small dams, urban levees, and other levees where loss of life or substantial property damage could occur. Reinforced concrete pipe may also be used for less critical levees. Ancillary structures such as inlet structures, intake towers, gate wells, and outlet structures should be constructed with cast-in-place reinforced concrete. However, precast concrete may be used for less critical levees when designed and detailed to satisfy all loading and functional requirements.

3-2. Materials: Small Dams

a. Overview. Reinforced concrete pipe discussed in this chapter is designed by either the direct or indirect (*D-load*) method. This approach indirectly compares the moments and shears for the pipe section to a standard three-edge bearing test. The minimum diameter pipe used should be 1,220 mm (48 in.) to facilitate installation, maintenance, and inspection.

b. Reinforced concrete pipe through dams. Pipe through small dams should be concrete pressure pipe, steel cylinder type. Pipe joints should be deep or extra deep with steel joint rings and solid O-ring gaskets, and they should be used for the entire length of pipe between the intake structure and the stilling basin. The steel cylinder provides longitudinal reinforcement and bridges the gap if transverse cracks develop in the concrete. Steel joint rings can be readily attached to the steel cylinder. Reinforced concrete pipe with either steel end rings or a concrete bell-and-spigot joint can be used in less critical areas. Joints should have solid O-ring gaskets, and the pipe may or may not be prestressed. Also, a steel cylinder is optional. All acceptable pipe must be hydrostatic tested.

(1) Steel cylinder. When the steel cylinder is used, the cylinder should have a minimum thickness of 1.5 mm (0.0598 in.) and 25 mm (1 in.) minimum concrete cover.

(2) Prestress wire. When prestressing is used, the wire should have a minimum diameter of 5 mm (0.192 in.).

(3) Mortar covering. The minimum concrete cover over prestressing wire should be 19 mm (3/4 in.).

(4) Concrete cover. The minimum concrete cover over plain reinforcing bars or welded wire fabric should be 38 mm (1.5 in.).

(5) Cement. Cement used for concrete, grout, or mortar shall be type II.

(6) Steel skirts. These skirts are used on prestressed noncylinder concrete pipe to hold the steel ring in place. Skirts shall be welded to steel joint rings for noncylinder pipe, and longitudinal reinforcement shall be welded to the steel skirt for anchorage.

(7) Reinforced concrete pressure pipe, steel cylinder type. Design in accordance with American Water Works Association (AWWA) C 300. This pipe is designed by the direct method in accordance with AWWA C304.

(8) Prestressed concrete pressure pipe, steel cylinder type. Design pressure pipe in accordance with AWWA C 301. This pipe is designed by the direct method in accordance with AWWA C 304.

(9) Reinforced concrete pressure pipe. Design in accordance with AWWA C 302 or ASTM C 76. This pipe is designed by the indirect method (*D-load*).

3-3. Installation: Small Dams

Bedding conditions are illustrated for trenches in Figure 3-1 and for embankments in Figure 3-2. When precast concrete pipe is used for small dams, this pipe connects the intake structure to the stilling basin. The typical installation of this pipe is shown in Figure 3-3, which shows where to use two half lengths of pipe at connection to structures and the use of the concrete cradle. Deep or extra deep joints are of particular importance through the selected impervious material on the dam since this area is likely to experience the most settlement.

a. Reinforced concrete pipe. Reinforced concrete pipe through the select impervious material of the dam embankment should conform to either AWWA C 300 or AWWA C 301 between the intake structure and the stilling basin and maybe to AWWA C 302 in less critical areas of the dam, as shown in Figure 3-3.

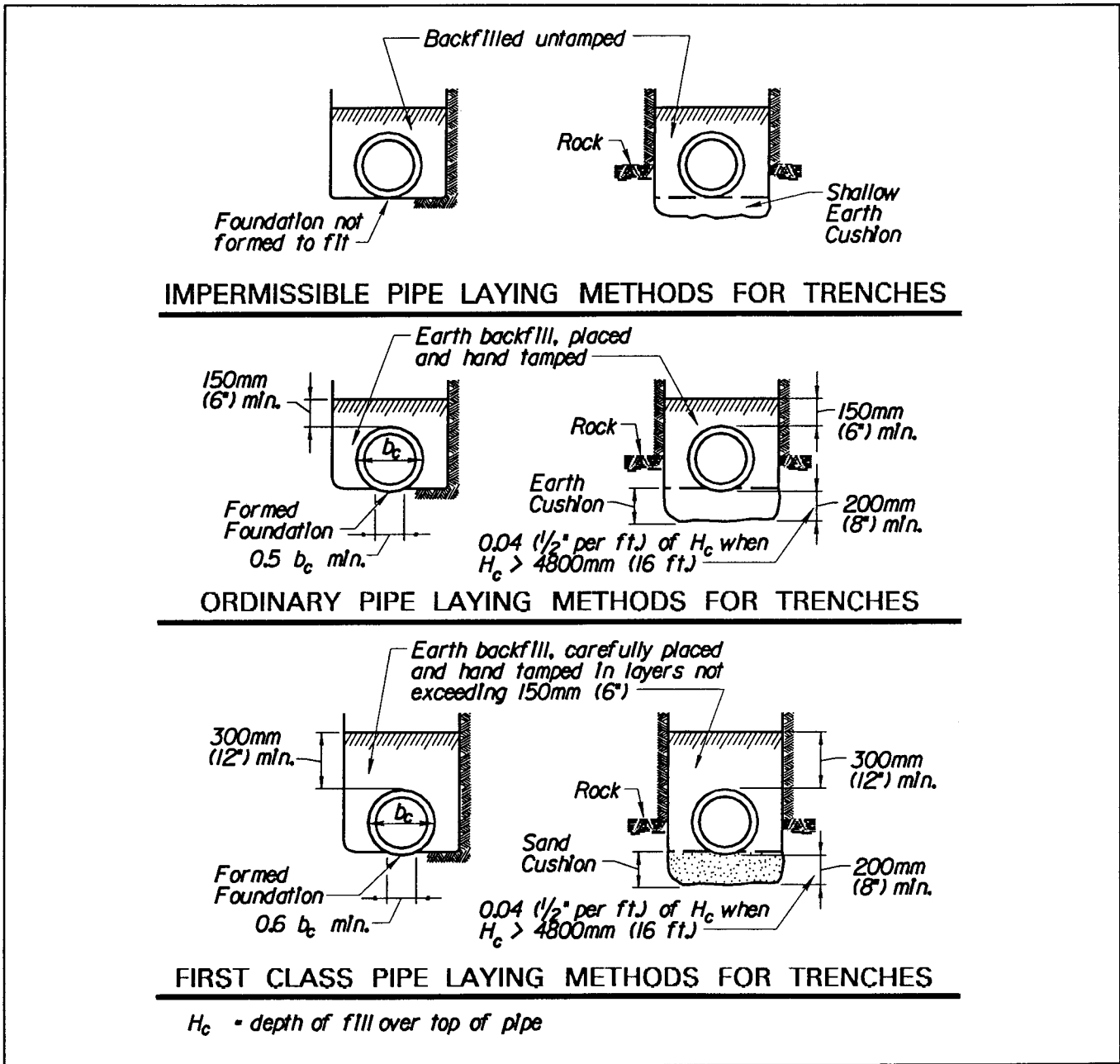


Figure 3-1. Trench bedding conditions

b. *Cement-mortar grout.* When concrete pipe is used, the exterior joint space should be grout-filled after pipe installation and hydrostatic tested, and the interior joint space should be grout- and mortar-filled after pipe installation, hydrostatic testing, and backfilling are completed.

c. *Fittings and special pipe.* These sections are used when there are alignment changes or connections to dif-

ferent sizes or types of pipe. The fittings and specials used should be designed for the same loading conditions as the regular pipe. Long-radius curves and small angular changes in pipe alignment should be made by deflecting the pipe at the joints or by using straight pipe with beveled ends, beveled adapters, or a combination of these methods. Beveling one end of straight pipe is often more economical than beveling both ends, and a combination of

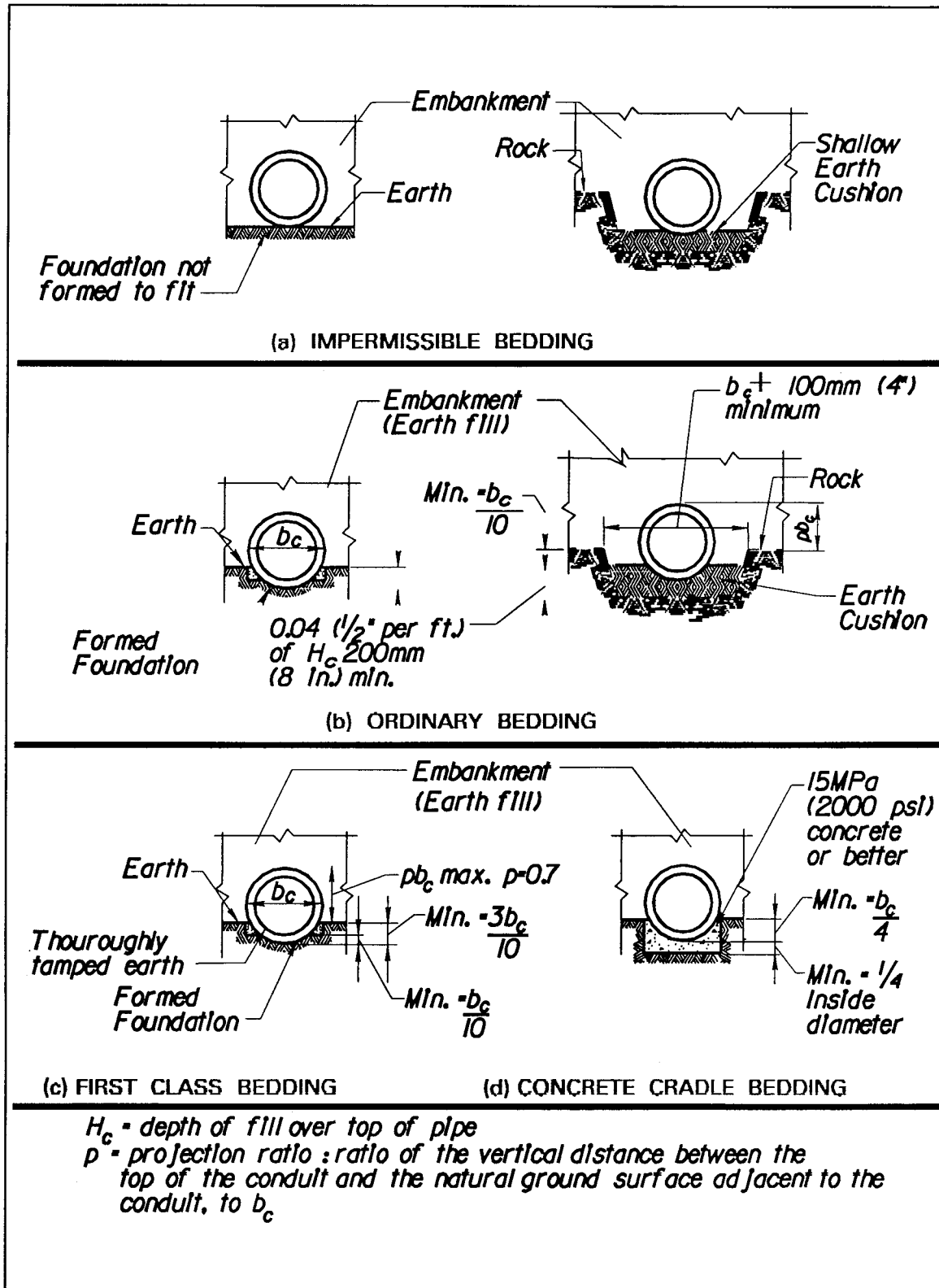


Figure 3-2. Embankment bedding conditions

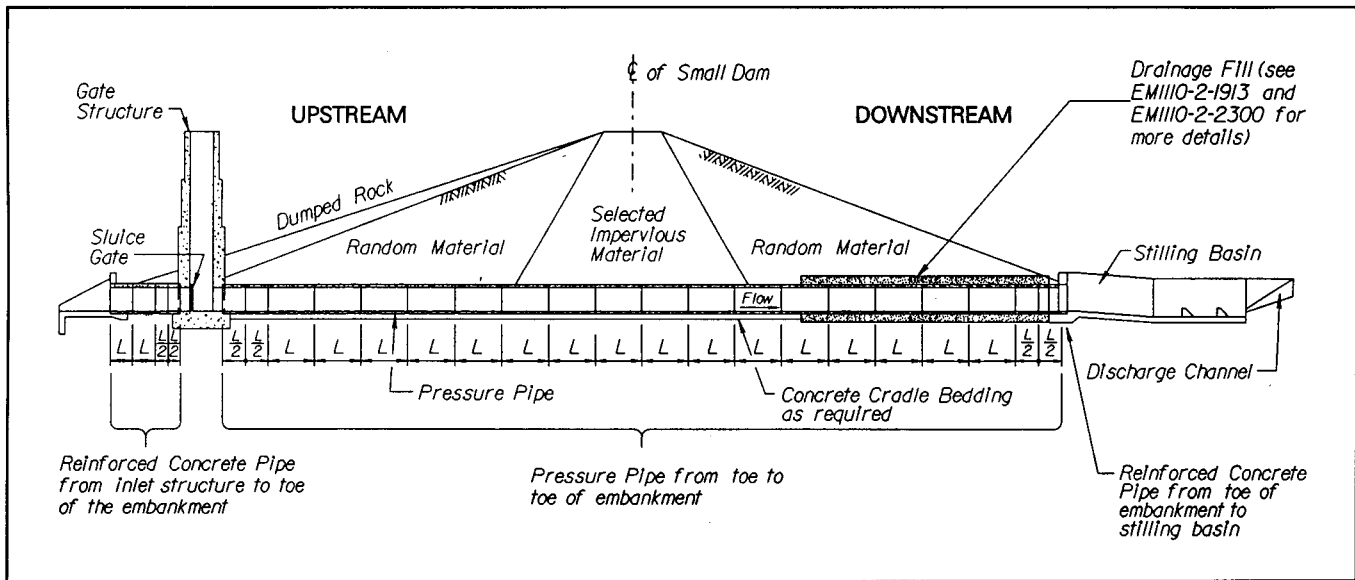


Figure 3-3. Reservoir outlet works (small dams)

straight and beveled pipe can be economical. Again, steel end rings should be used for fittings and specials.

d. *Pipe laying lengths.* Lengths of pipe used should not exceed 4.9 m (16 ft) for conduits when minimal foundation settlements are expected, and pipe lengths of 2.4 to 3.7 m (8 to 12 ft) should be used when nominal settlements are expected. Two half lengths of pipe should be used immediately upstream of the intake structure, immediately downstream of the intake structure, at the end of the concrete cradle, immediately upstream of the stilling basin, and when there is a change in the foundation stiffness.

e. *Concrete cradle.* Concrete cradles should be used to carry the conduit through soft foundation materials. The cradle is used between the intake structure and the point downstream where it is no longer required by the design, but not less than the toe of the major embankment section. Cradles are to be used for the first pipe length upstream of the intake structure and the stilling basin and under horizontal curves. Cradles should be terminated at the end of a pipe length. Disturbed foundation material should be backfilled to grade with lean concrete. Recompacting the foundation is not allowed.

f. *Cradle reinforcement.* Cradles should be continuously reinforced in the longitudinal direction with temperature and shrinkage reinforcement. The minimum amount of reinforcing steel in both directions should not be less than 0.002 times the gross area of the concrete. The

transverse area of concrete is based on the concrete thickness below the pipe invert.

g. *Dowels across joints.* Joint dowels should be adequate to transfer the shear capacity of the cradle or the maximum differential load anticipated when an excess cradle capacity is provided. A compressible material with a minimum thickness of 13 mm (1/2 in.) should be used in the joint to accommodate slight foundation deflections.

h. *Field testing joints.* Joints for pipe through dams should be field-tested using a hydrostatic test after pipe is installed and prior to placement of the concrete cradle, the grouting or mortaring of joints, and the backfilling of the trench above the bedding. Hydrostatic testing should be 120 percent of the maximum design pressure for the pipe and in accordance with AWWA standard. An acceptable joint tester may be used for this testing requirement. Joints that fail the test should be replaced and retested until they are acceptable. Additional joint testing may be completed after backfilling, when watertightness is questioned.

3-4. Materials: Levees

Reinforced concrete pipe used in levees should meet the requirements of AWWA C 302 or ASTM C 76 as a minimum. The minimum diameter pipe for major levees should be 1,220 mm (48 in.) to facilitate installation, maintenance, and inspection. Other levees may have a minimum diameter of 910 mm (36 in.).

3-5. Installation: Levees

Pipes crossing under levees typically have a landside inlet structure, gate structure, and a floor stand. Figure 3-4 shows several possible variations for levee drainage structures. Two half lengths of pipe should be used at each structure connection to provide flexibility, as shown in Figure 3-5. Note that a granular drainage blanket is placed on the landside end third of the pipe.

a. Pipe laying lengths. Laying lengths should not exceed 3.7 m (12 ft) for conduits with normal foundation settlements, and these lengths should be reduced to 2.4 m (8 ft) when excessive settlements are expected. Two half lengths of pipe should be used at the upstream and downstream ends of the gate well structure, and when the foundation stiffness changes. When steel end rings are not used, a short concrete pipe should be laid through the wall of the gate well or intake structure, and the wall should be cast around the pipe as shown on the drawings. The mating end of the pipe should extend no more than 300 mm (12 in.) beyond the edge of the gate well structure, and the embedded end should have an appropriate waterstop.

b. Concrete cradle. Concrete cradles should be provided under the first length of pipe at the upstream and

downstream ends of gate well structures. They should be doweled into the gate well slab to carry the full shear capacity of the cradle. The joint should be filled with a compressible material and have a minimum thickness of 13 mm (1/2 in.).

c. Field testing pipe joints. Joints for pipe through levees should be field-tested for watertightness using a hydrostatic test after pipe is installed, and prior to the grouting or mortaring of joints and the backfilling of the trench above the bedding. Hydrostatic testing should be in accordance with the appropriate AWWA standard. An acceptable joint tester may be used for this testing requirement. Joints that fail the test should be replaced and retested until they are acceptable. Additional joint testing may be completed after backfilling, when watertightness is questioned.

d. Gate wells. Gate wells should be cast-in-place concrete for major levees. Precast concrete gate wells may be used for less critical levees if designed and detailed to satisfy all loading and functional requirements. The loading requirements must include the maximum loads that can be applied through the gate lifting and closing mechanism. These mechanisms are usually designed with a factor of safety of five. This will usually

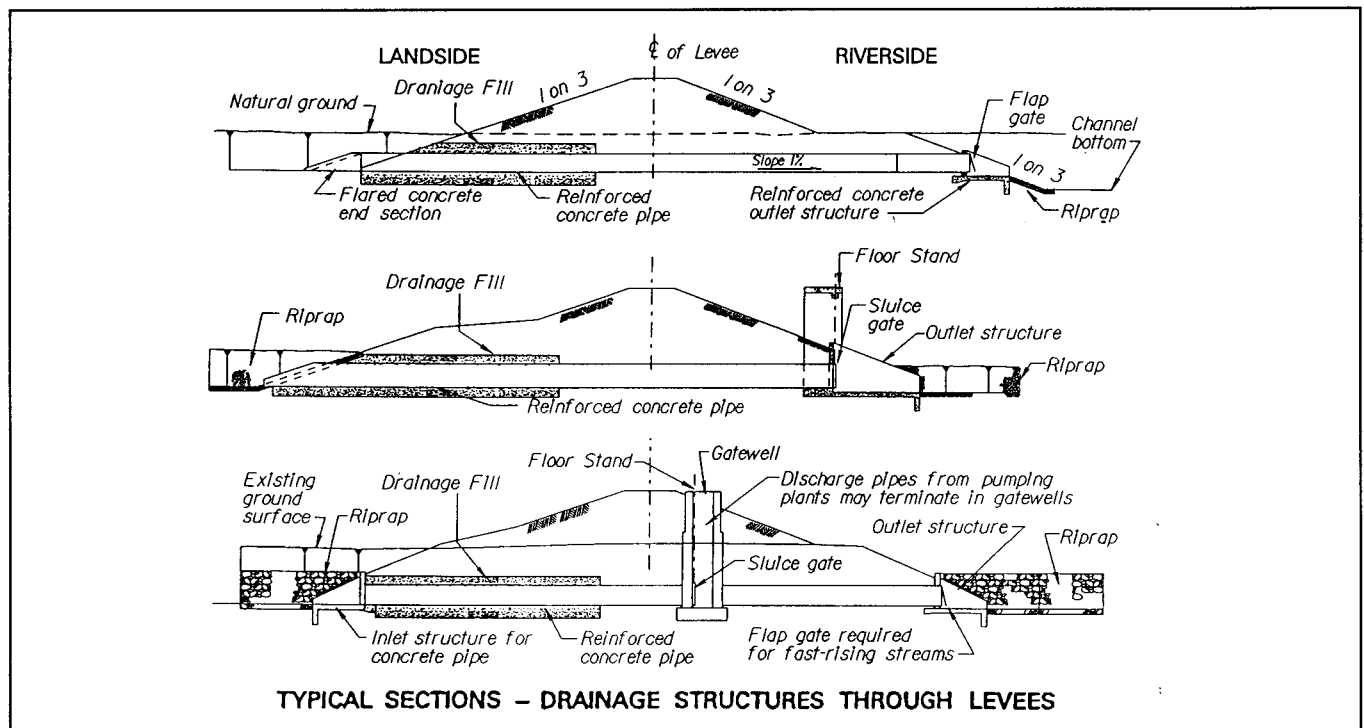


Figure 3-4. Typical sections, drainage structures through levees

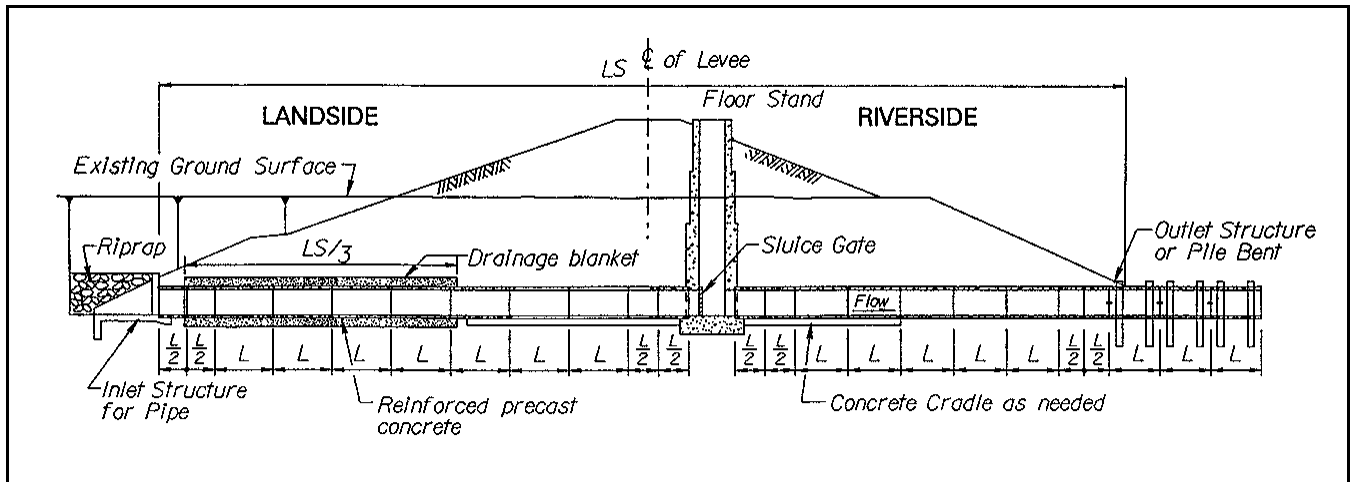


Figure 3-5. Typical precast conduit (levees)

require mechanical connections between pipe segments and additional longitudinal reinforcement in the pipe. The top, bottom, and gate frame must be securely anchored to resist all loading conditions. The joints for the gate well should be the same type as used for the pipe conduit. The installed gate well should be subjected to a hydrostatic test prior to backfilling.

e. Inlet structures. Inlet structures should be cast-in-place concrete in major levees, but may be precast as appropriate.

f. Outlet structures. Outlet structures are normally cast-in-place concrete, U-wall-type structures. Pile bents may also be used.

g. Pile bents. When pile bents are used to support a length of pipe, pipe lengths should be limited to 4.9 m (16 ft). Two pile bents, as shown in Figure 3-6, are required for each pipe section when using 2.4-m (8-ft) lengths of pipe, and three pile bents are required when pipe lengths are 4.9 m (16 ft). The two upstream sections of pipe beyond the pile bent should be two half lengths of pipe to develop joint flexibility. Mechanical connectors should be used on pipe joints when the pipe is supported on pile bents.

3-6. Loadings

The loadings used for precast concrete pipe are the same as those described in Chapter 2 for cast-in-place concrete pipe.

3-7. Methods of Analysis

a. D-load analysis. This analysis and the selection of pipe should be based on a $D_{0.01}$ crack using the approach in Section 17.4 of American Association of State Highway and Transportation Officials (AASHTO) (1996) with the following exceptions.

(1) Standard trench and embankment installations are presented in Figures 3-1 through 3-4, and paragraphs 3-3 and 3-5. The bedding factors B_f to be used for these installations are listed in Table 3-1. Bedding factors for the embankment conditions are shown in Table 3-2 and calculated using Equation 3-1:

$$B_f = \frac{1.431}{X_p - (Xa/3)} \quad (3-1)$$

(2) For these installations the earth load, W_E should be determined according to the procedure in paragraph 2-4 for Condition I only, except H is equal to H_c .

(3) For these installations, the design load determined by AASHTO Equation 17-2 (AASHTO 1996) must be increased by a hydraulic factor H_f of 1.3, as shown in Equation 3-2, the modified AASHTO $D_{0.01}$ crack design equation:

$$D_{0.01} = (H_f W_T) / (S_i B_f) \quad (3-2)$$

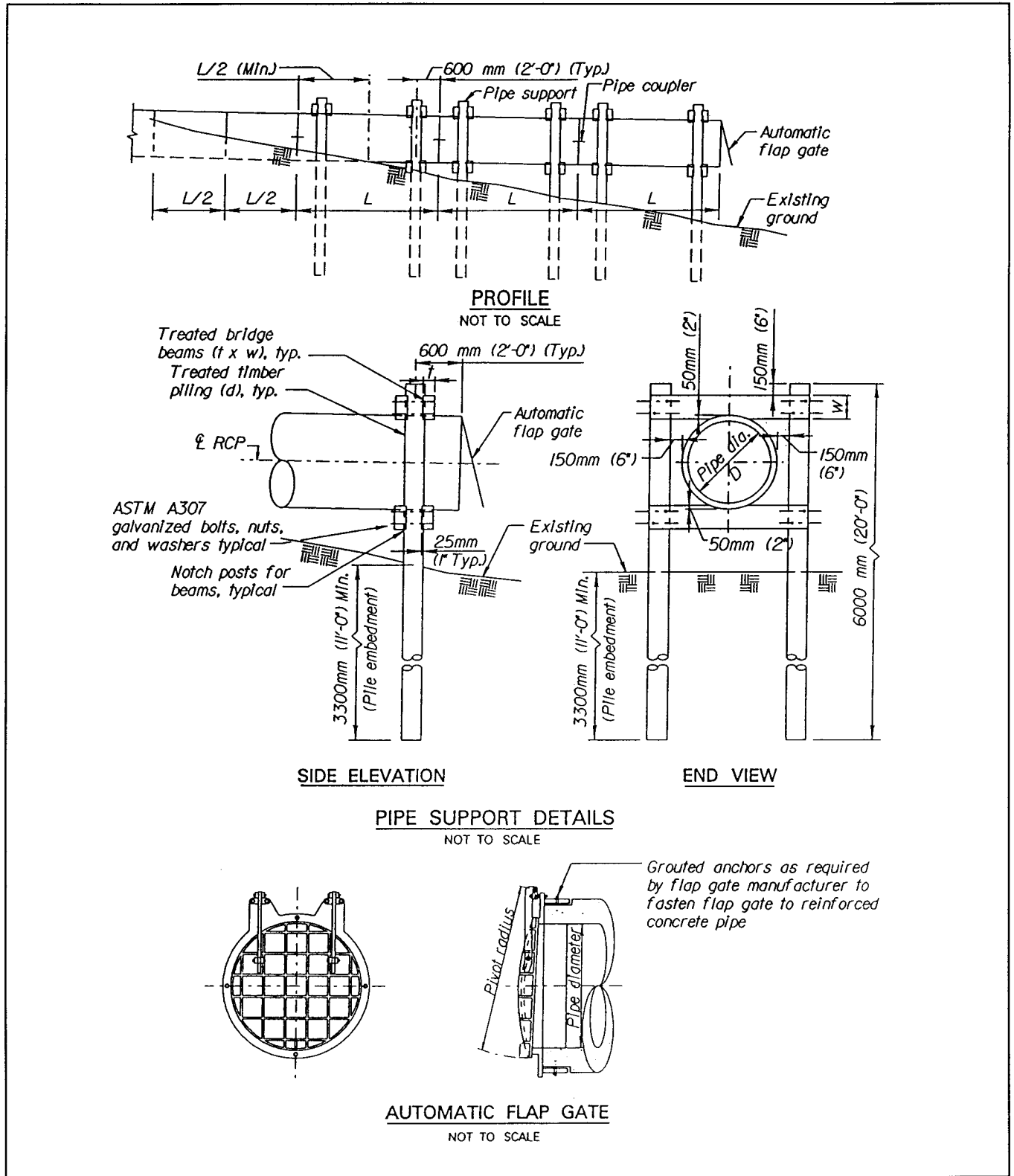


Figure 3-6. Typical pile bent

Table 3-1
Design Conditions: Trench

Type of Bedding	Bedding Factor B_f
Ordinary	1.5
First Class	1.9
Concrete Cradle	2.5

Table 3-2
Bedding Factor Constants: Embankment

Projection Ratio ρ	Concrete Bedding X_a	Other Projection Bedding X_a
0	0.15	0
0.3	0.743	0.217
0.5	0.856	0.423
0.7	0.811	0.594
0.9	0.678	0.655
1.0	0.638	0.638

Type of Bedding X_p	
Ordinary	0.840
First Class	0.707
Concrete Cradle	0.505

where

$$W_T = W_E + W_F + W_L$$

and

$$H_f = \text{hydraulic factor of 1.3}$$

$$S_i = \text{internal diameter or horizontal span of the pipe in mm (feet)}$$

$$B_f = \text{bedding factor. See Table 3-1 for trench condition and use Equation 3-1 with Table 3-2 for embankment condition}$$

$$W_E = \text{earth load on the pipe as determined according to the procedures outlined in Chapter 2, using case 1 only except replacement of } H \text{ with } H_c$$

$$W_F = \text{fluid load in the pipe}$$

$$W_L = \text{live load on the pipe as determined according to paragraph 5-4}$$

b. *Multiple pipes.* When several pipes need to be installed in the same trench, the designer must determine the loading condition to use. Two common installation conditions are shown in Figures 3-7 and 3-8. The soil columns used for this loading analysis are identified in these figures. The design method described below provides conservative results.

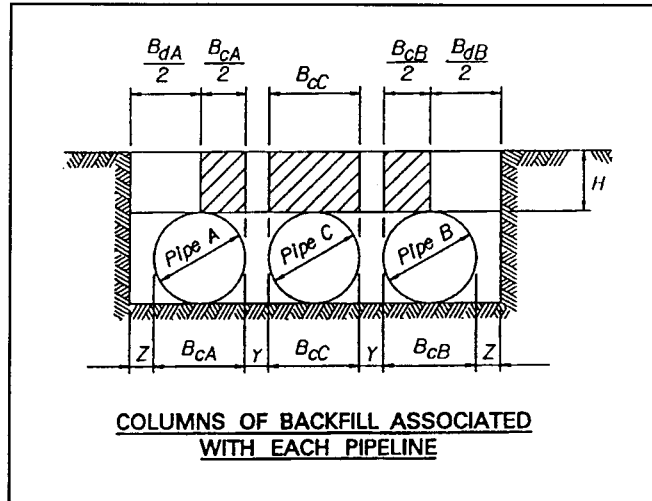


Figure 3-7. Multiple pipes in trench

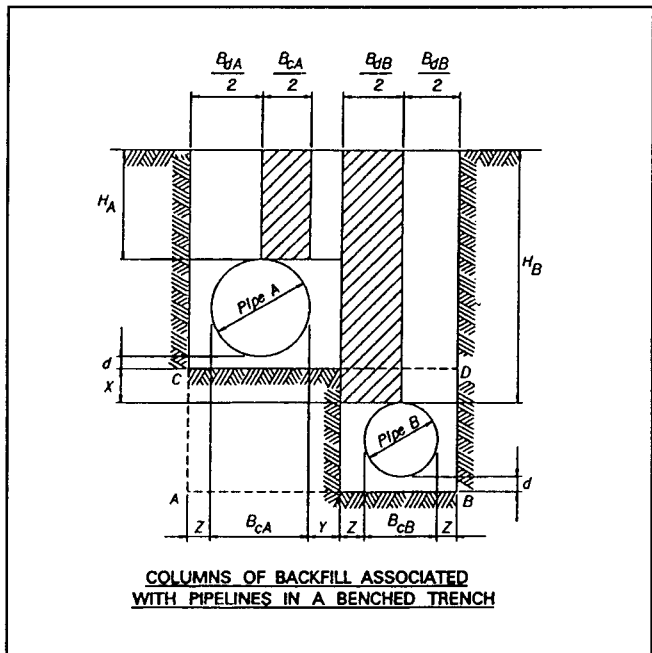


Figure 3-8. Benched pipes

(1) Trench condition. Load for multiple pipes varies from a simple trench condition to a projected embankment

condition, or even a combination of both within the same trench. Each pipe should be analyzed separately, and the transition width should be determined for each pipe. The transition width is the width of a trench when the trench load is equal to the projected embankment load. Therefore, trench loads cannot be greater than the projected embankment condition. The geometric relationship for three pipes in a trench is shown in Figure 3-7. If B_{cC} (the outside diameter of the center pipe) plus $2Y$ (twice the width of the soil column between the pipes in the trench) is equal to or greater than the transition width for the given size pipe, then pipe C is designed for a positive projected embankment condition. If the intermediate pipe spacing Y and the exterior pipe spacing to the trench wall Z are small compared to the outside diameter B_c and the height of fill H , then the entire earth load may be shared proportionately by the three pipes, and the entire installation is in a trench condition. Also, when the exterior pipe columns $B_{dA}/2$ or $B_{dB}/2$ are less than one-half of the transition width for either pipe (about $0.75 B_c$), then the trench condition exists. However, the positive projected embankment condition exists when the width of these exterior pipe columns is greater than the transition width for the pipe. The interior columns are analyzed in a similar manner.

(2) Bench condition. When vertical and horizontal separation distances must be met, a common method of installing multiple pipes in the same trench is placing the pipe in a bench condition, as shown in Figure 3-8. When used, the stability of the bench needs to be analyzed, and load transfer between pipe "A" to pipe "B" is ignored. Two methods that may be used to install pipe in this condition are to excavate the full depth and full width of the trench, then backfill to the appropriate bench height before installing the second pipe; and to excavate a full-width trench to the top of the bench and then excavate the side trench. Once again, the geometry of the trench determines the loading condition on the pipe. When the soil columns B_{dA} and B_{dB} are less than the transition width for the pipe, the trench load is used. When these soil columns are greater than the transition width, the positive projecting embankment load is used. Normally, the trench will be excavated the full width to install pipe "B" then backfilled to the "CD" level, and pipe "A" is installed. This would place pipe "B" in a positive projecting embankment condition, and then pipe "A" must be analyzed for the transition width above the pipe crown.

3-8. Joints

a. In pipe. Joints for precast concrete pipe must resist the infiltration/exfiltration leakage, accommodate

lateral and longitudinal movements, provide hydraulic continuity, and allow the pipe to be installed easily. Each precast manufacturer makes a pipe joint that conforms to one or more ASTM test requirements. Pipe with an integral O-ring gasketed joint should be used on pipe through small dams and levees. Mortar and mastic packing are not acceptable. The two types of joints specified by ASTM criteria, depending on the working pressure of the pipe, are ASTM C 443 and ASTM C 361. Working pressure rating for an ASTM C 443 pipe is 90 kPa (13 psi) in straight alignments and 70 kPa (10 psi) in axially deflected alignments. The working pressure rating for an ASTM C 361 pipe joint is up to 45.7 m (150 ft) of head. When specifying joints on precast concrete pipe through small dams or levees, pipe must have an integral O-ring gasket and pass the pressure test before the installed pipe can be accepted. Deep and extra deep joints should be specified for pipe in small dams and large levees where excess deflections are expected.

b. At structures. Integral O-ring gaskets and steel end rings are required at gate wells and gated outlet structures on small dams and major levees.

c. Testing. Pipe joints may be tested using an internal pressure.

(1) Factory. Three ASTM tests are used to assure the pipe's integrity. First joints and gaskets shall be O-ring type in accordance with ASTM C 361. When pipe is *D-load* rated the strength capacity of the pipe will be determined by testing in accordance with ASTM C 497. Performance requirements for hydrostatic testing of pipe shall conform to ASTM C 443.

(2) Field testing with joint tester. All joints under embankments should be tested for leakage. Tests should include hydrostatic pressure tests on all concrete pipe joints under levees to be performed by the contractor after the pipe has been bedded and prior to placing any backfill. Testing of joints should be made by using a joint tester. Joints are required to withstand an internal pressure equal to the working pressure plus transient pressures for a duration of 20 minutes per joint. After backfilling the pipe, the contractor should perform additional hydrostatic tests on joints which by inspection do not appear to be watertight. Joints that fail should be disassembled and all inferior elements replaced. The possibility that some water may be absorbed by the concrete pipe during this test should be considered before rejecting the rubber seals proposed.

(3) Water-filled pipe test. Where practical, pipe joints can be tested for watertightness in the field by using the water-filled pipe test. The pipe should be free of air during this test and be maintained at the test pressure for a minimum of 1 hour. The possibility that some water may be absorbed by the concrete pipes during this test should be considered before rejection of the rubber seals proposed. Water should be added as necessary to maintain a completely full pipe at the specified head. On outlet works pipe, testing can be in increments as installed or for the full length after installation is completed.

3-9. Camber

Where considerable foundation settlement is likely to occur, camber should be employed to assure positive drainage and to accommodate the extension of the pipe due to settlement, as shown in Figure 3-9 (EM 1110-2-1913).

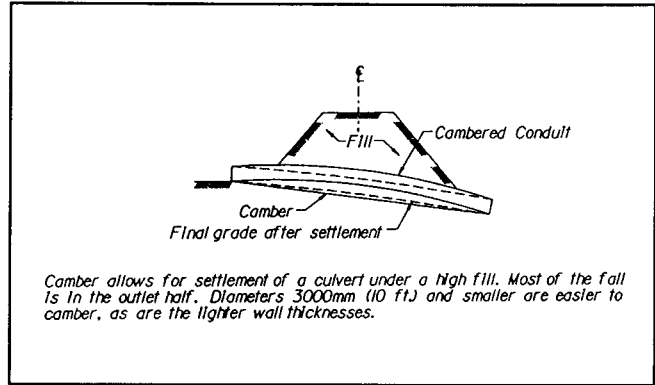


Figure 3-9. Cambered conduit

Chapter 4 Corrugated Metal Pipe for Rural Levees and Culverts

4-1. General

Corrugated metal pipe may be used in rural levee systems when risk of substantial property damage and loss of life is low. Corrugated metal pipe is subject to chemical and galvanic corrosion, is not easily tapped, has a high hydraulic coefficient of friction, and is vulnerable to joint leakage and associated piping and to live load distortion. When this pipe is used, a life cycle cost analysis should be performed. The service life of a flood control project is 100 years, and corrugated metal pipe systems must be designed to meet this requirement. Typically, corrugated metal pipe may have to be replaced a minimum of once during this project life. Use 900-mm- (36-in.-) diameter pipe as a minimum for levees to facilitate installation, maintenance, and inspection.

a. *Corrugated metal pipe.* This pipe may be used as an option in agricultural levees where the levee embankment is less than 3.7 m (12 ft) above the pipe invert. Circular pipe must be used through levee embankments.

b. *Corrosion protection.* Corrugated metal pipe is susceptible to corrosion, primarily in the invert. The pipe should always be galvanized and protected with a bituminous coating and should have bituminous paving applied to the invert. Bituminous coatings and paving can add about 20 to 25 years of service life to the pipe, and a bituminous coating (AASHTO M 190) alone adds about 8 years of service life to the pipe. Polymer coatings (AASHTO M 246) can add about 10 years of service life to the pipe. If the fill or backfill materials contain chemically active elements, it may be necessary to protect the outside of the pipe with a coating of coal tar epoxy. The life of galvanized conduits can be estimated by using information from the American Iron and Steel Institute's (AISI) *Handbook of Steel Drainage and Highway Construction Products* (1993). When considering other coatings, the designer should review applicable test data for similar installations.

(1) Metallic-coated corrugated steel pipe. Metallic-coated corrugated steel pipe should conform to American Association of State Highway and Transportation Officials (AASHTO) M 36, M 218, M 246, and M 274. When spiral rib steel pipe is used, the material should conform to AASHTO M 36 and M 245. When bituminous coatings are

required, the material should conform to AASHTO M 190. For installations involving only fresh water, the Type C coating should be used except when the pH value of the soil or the water at the installation site is below 5 or above 9. In this case, the coating should be ASTM A 885, Aramid Fiber Composite, and AASHTO M 190. For all seawater installations, the coating should be ASTM A 885 and AASHTO M 190. Both the loading conditions and the corrosion characteristics (soil and water) at the installation site should be considered when specifying metal thickness (steel). Metal thickness should be selected to meet the corrosion condition and should not allow the pipe to perforate during the life of the project. The soil resistivity and pH can be determined by a geotechnical engineer. This type of pipe should not be used to conduct strong industrial wastes or raw sewage. In general the environmental conditions for corrugated metal pipe require pH limits of 6 to 8 for galvanized steel, and 5 to 9 for aluminized steel. Soil resistivity should be greater than or equal to 2,500 ohm-cm for galvanized steel and 1,500 ohm-cm for aluminized steel. Long-term field test data suggest that aluminum alloy coatings (Aluminized Type 2, AASHTO M 274) lasts longer than plain galvanized coatings (Zinc, AASHTO M 218). Before selecting aluminized coatings, the designer should verify local experience with such pipe, and these coatings should not be used for sanitary or industrial sewage, salt water or when heavy metals are present.

(2) Corrugated aluminum alloy culvert pipe. This pipe is generally used for culverts and underdrain systems, and should conform to ASTM B 745M. When spiral rib pipe is used, the materials should conform to ASTM B 745M and should be included in the specifications for culverts, storm drains, and other applications on relocations and similar works which will be used on Civil Works Projects or turned over to others. Engineering standards and requirements of the affected authority should be followed. Corrugated aluminum alloy pipe should not be used through dams, levees, or other water retention embankments.

(3) Perforation life. Corrugated metal pipe should be designed by the method and equations given in the *Handbook of Steel Drainage and Highway Construction Products*, except that Figure 4-1 is to be used to calculate the perforation life of the pipe. This figure is applicable to civil works projects. The AISI approach is applicable to gravity flow systems on nonerrodible granular beddings, not on silty and clayey sands which are highly erodible. Most civil works projects around spillways and through levees structures are on silty and clayey sands and under pressure.

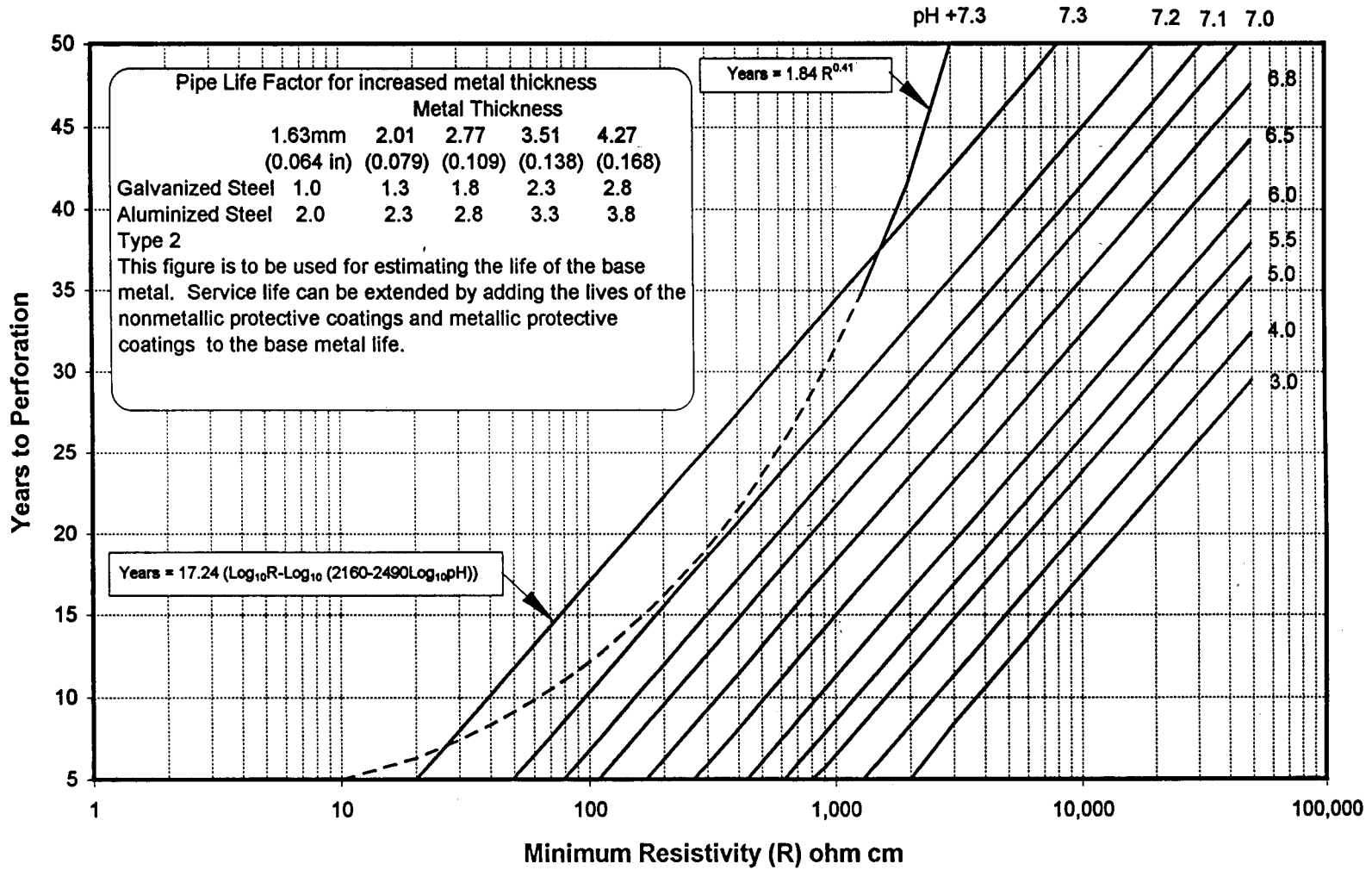


Figure 4-1. Galvanized steel pipe perforation life: metal thickness 1.63 mm (0.064 in.)

4-2. Materials

Table 4-1 lists the applicable ASTM standards for the materials used in the design of corrugated metal pipe systems.

a. Corrugated metal gate wells. Corrugated metal gate wells may be used in lieu of cast-in-place concrete where corrugated metal pipes are permitted, if designed and detailed to satisfy the same requirements as precast gate wells. These gate wells need to be designed and

detailed to satisfy the loading and functional requirements. The loading requirements must include the maximum loads that can be applied through the gate lifting and closing mechanism. These mechanisms are usually designed with a factor of safety of five. This will usually require mechanical connections between pipe segments. The top, bottom, and gate frame must be securely anchored to resist all loading conditions. The joints for the gate well should be the same type as used for the pipe conduit. The installed gate wells should be hydrostatic tested prior to backfilling.

Table 4-1
Materials for Corrugated Metal Pipe Systems

Materials	ASTM Standard	Description
* Polymer-Coated Sheets	ASTM A 742M - Steel Sheet, Metallic Coated and Polymer Precoated for Corrugated Steel Pipe	Polymer-coated galvanized sheets or aluminum-zinc alloy sheets. Used in environments when metallic-coated pipes cannot be used.
Fully Lined Steel	ASTM A 760M Type 1A - Corrugated Steel Pipe, Metallic-Coated for Sewers and Drains	This standard is for corrugated metal pipe being used as storm-water drainage, underdrains, and culverts. Included in the standard are requirements for rivets, bolts and nuts, lock seam strengths, coupling bands, and gaskets.
Sewer and Drainage	ASTM A 762M - Corrugated Steel Pipe, Polymer Precoated for Sewers and Drains	This pipe is not intended to be used for sanitary or industrial wastes. It is a standard for polymer-coated zinc or aluminum-zinc-alloy-coated sheet steel. Additional polymer coating may be applied after fabrication of the pipe. Included in the standard are requirements for rivets, bolts and nuts, lock seam strengths, coupling bands, and gaskets.
Asphalt-Coated or Paved Invert Steel	ASTM A 849M - Post-Applied Coatings, Pavings and Linings for Corrugated Steel Sewer and Drainage Pipe	This standard covers the post-applied coatings for steel structure plate pipe; pipe arches; and arches with paved, lined or polymer coatings. Coatings include bituminous materials, concrete, mastic, or polymer. Conduits can be fully coated exterior or interior, paved invert, or fully lined.
Fiber Bonded Sheets	ASTM A 885M - Steel Sheet, Zinc and Aramid Fiber Composite Coated for Corrugated Steel Sewer, Culvert and Underdrain Pipe	This is a composite coating of zinc, aramid nonwoven fabric, and asphalt coatings used for enhanced corrosion resistance.
Aluminum Sheets	ASTM B 744M - Aluminum Alloy Sheet for Corrugated Aluminum Pipe	This standard covers the aluminum sheet used for corrugated aluminum pipe that is used for storm-water drains, underdrains, and culverts.
Aluminum Alloy Pipe	ASTM B 745M - Corrugated Aluminum Pipe for Sewers and Drains	This standard covers the aluminum pipe to be used for storm water drains, underdrains, and culverts. Included in the standard are requirements for rivets, bolts and nuts, lock seam strengths, coupling bands, and gaskets.
* Zinc-Coated, Aluminum-Coated, and Aluminum-Zinc Coated Sheet Steel	ASTM A 929M-Steel Sheet, Metallic Coated by the Hot-Dip Process for Corrugated Steel Pipe	This standard includes steel sheet with Zinc-5% Aluminum-Mischmetal (Zn-5Al-MM), 55% Aluminum-Zinc Alloy-coated (55Al-Zn), and Aluminized (Type 1 and 2) coatings.

b. Inlet structures. Corrugated metal inlets may be used where corrugated metal pipes are permitted, if designed and detailed to satisfy the loading and functional requirements.

c. Outlet structures. Outlet structures are normally cast-in-place reinforced concrete U-wall structures.

d. Pile bents. When pile bents are used to support a length of pipe, pipe lengths should be limited to 4.9 m (16 ft). Two pile bents, as shown in Figure 3-6, are required for each pipe section when using 2.4-m (8-ft) lengths of pipe, and three pile bents are required when pipe lengths are 4.9 m (16 ft). The two upstream sections of pipe beyond the pile bents should be two half lengths of pipe to develop joint flexibility. Corrugated bands should be used on pipe joints when the pipe is supported on pile bents.

4-3. Installation

Corrugated metal pipe for levees and culverts, and structural plate for culverts should be installed in accordance with the requirements set forth in ASTM A 798 for steel pipe or ASTM A 807 for steel plate pipe or ASTM B 788 for aluminum pipe or ASTM B 789 for aluminum plate pipe.

a. Foundation. When soft soils or rock are encountered, they should be removed and replaced with approved materials as specified herein. The excavation depth below the pipe invert shall be equal to 42 mm (0.5 in.) per meter (foot) of fill above the crown of the pipe, not to exceed 600 mm (24 in.) maximum. The minimum width of material removed in a trench will be three diameters in soft soil, and one and one-half diameters in rock.

b. Backfill. Structural backfill for pipe in trenches is the material placed around the pipe from invert up to an elevation of 305 mm (12 in.) or one-eighth the diameter, whichever is more, above the pipe. For pipe in embankment conditions, structural backfill is the material within one diameter of the sides of the pipe from invert to an elevation of 305 mm (12 in.), or one-eighth the diameter, whichever is more, over the pipe. Acceptable backfill material for corrugated metal pipe includes silty and clayey gravels and sands (SM and SC, Unified Soil Classification System) as approved by the geotechnical engineer. Gravels and sands (GW, GP, GM, GC, SW, and SP) are not acceptable backfill materials in levees. Plastic clays and silts, organic soils, and peat are not acceptable materials (OL, MH, CH, OH, and PT). This backfill material is installed in 152- to 305-mm (6-to 12-in.)

layers compacted per EM 1110-2-1913 and is brought up evenly on both sides of the pipe to a minimum cover of 305 mm (12 in) over the top of the pipe.

c. Minimum cover and spacing.

(1) Cover. Use the method for calculating the minimum cover as defined in ASTM A 796 and ASTM B 790 for steel and aluminum, respectively. However, a minimum cover of 610 mm (2 ft) from the top of the pipe to the bottom of the slab or crosstie is recommended for railroads, highways, and airfield pavements. For construction loads, a minimum cover of 1,220 mm (4 ft) is recommended.

(2) Spacing. When multiple lines of pipe are installed in the same excavation, a minimum spacing between pipes of one-half the pipe diameter or 900 mm (3 ft), whichever is less, should be used for adequate compaction of the backfill material. These minimum spacings are for compacted backfill and may be less when using slurry or flowable backfills.

4-4. Loadings

Earth loads and live loads (highway, railways, runways, and impact) for corrugated metal pipe are defined in ASTM A 796 and ASTM B 790 for steel and aluminum, respectively, as vertical pressures. Horizontal pressures are controlled by backfill requirements. The applications of these pressures are similar to those presented in Figure 5-2.

4-5. Methods of Analysis

The design of corrugated steel pipe is covered in ASTM A 796, and the design of corrugated aluminum pipe is covered in ASTM B 790. The designer should consider the design criteria for ring buckling strength, wall crushing strength, handling stiffness, and joint integrity. The section properties for corrugated metal pipe and seam strength requirements are provided in ASTM A 796 for steel and ASTM B 790 for aluminum. When corrugated metal pipe is used, an analysis of seam separation should be performed, except when helical lock seam pipe is used.

a. Thrust in pipe wall. Thrust in pipe walls must satisfy three criteria: required wall area as determined from ring compression or thrust, critical buckling stress, and required seam strength.

(1) Wall thickness. The minimum wall thickness is based on the yield stress of the pipe material, and

assumes a factor of safety of 2. This design is defined in ASTM A 796 or ASTM B 790 for steel and aluminum, respectively.

(2) Allowable wall stress. The critical buckling wall stress can be determined by using formulas presented in ASTM A 796 and ASTM B 790, for steel and aluminum, respectively. If the critical buckling stress is less than the yield stress of the wall material, recalculate the required wall thickness using the calculated buckling stress.

(3) Longitudinal seam stress. Because there are no seams in helical lock seam and welded seam pipe, these criteria do not apply. For pipe fabricated with longitudinal seams (riveted, spot-welded, or bolted), seam strength should be sufficient to develop the thrust in the pipe wall. The factor of safety for longitudinal seams is 3. Also, these joints must be hydrostatically tested for acceptance. Seam strengths for various seam connections are given in ASTM A 796 and B 790 for steel and aluminum pipe, respectively.

b. Handling stiffness. The handling stiffness of corrugated metal pipe should be checked to ensure that the pipe can be handled without damage during construction. The required flexibility factors for steel and aluminum pipe are given in ASTM A 796 and ASTM B 790, respectively.

4-6. Joints

Special attention should be given to the joint between a corrugated metal pipe and any concrete structure. The

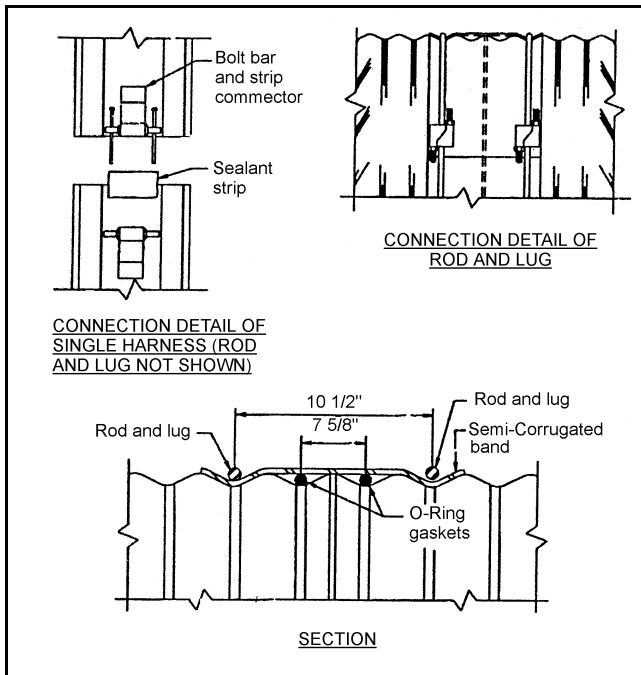
gaskets and bands discussed below are used to develop leak-resistant joints in corrugated metal pipe. A typical hugger band installation is shown in Figure 4-2, and a typical corrugated band joint is shown in Figure 4-3. Joints through levees must be tested for watertightness, and require the use of corrugated bands.

a. Gaskets. For sleeve type gaskets, use ASTM D 1056, Grade 2C2. Sleeve type gaskets should be one-piece construction, closed-cell neoprene, skin on all four sides. The thickness should be 9.53 mm (3/8 in.) and 13 mm (1/2 in.) less than the width of the connection band required. O-ring gaskets should meet the requirements of ASTM C 361.

b. Coupling bands. Corrugated bands and sleeve type gasket are required when watertightness is a concern. For helical pipe, the ends should be reformed so the pipes can be coupled. Flat bands with sleeve or O-ring type gaskets, or hat-channels with mastic bands are not acceptable for watertight joints as they are susceptible to pulling apart. Bands with annular corrugations and rod and lug connectors, semi-corrugated bands and bands with angular corrugations, and angle iron bolt connectors are acceptable connectors.

4-7. Camber

Where considerable foundation settlement is likely to occur, camber should be used to ensure positive drainage and to accommodate the extension of the pipe due to settlement.



* Figure 4-2. Semi-corrugated band

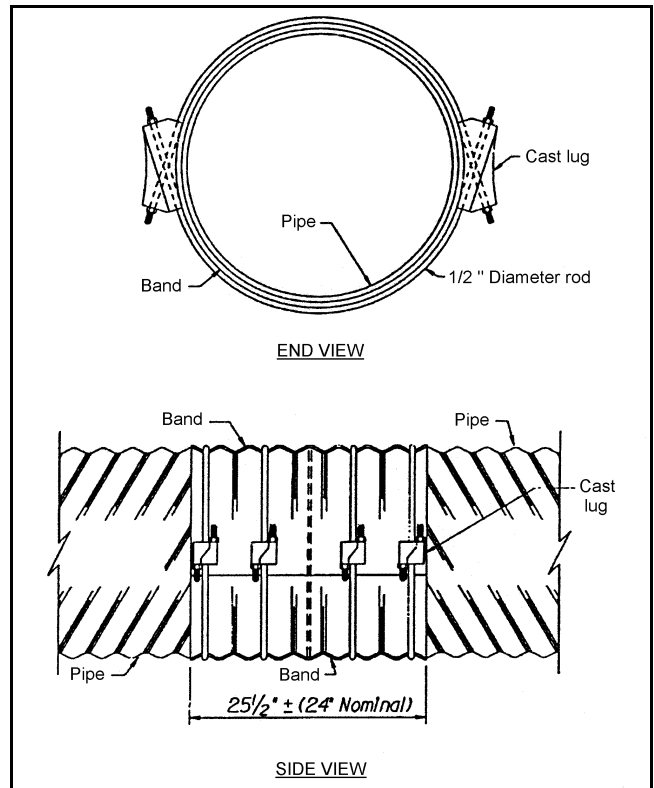


Figure 4-3. Corrugated band

Chapter 5 Concrete Culverts

5-1. Features Affecting Structure Shape and Capacity

The following information applies to the design of reinforced concrete culverts. Typical conduit shapes used for culverts are shown in Figure 5-1.

a. Location. Ideally, the axis of a culvert should coincide with that of the natural streambed and the structure should be straight and short. This may require modification of the culvert alignment and grade. Often it is more practical to construct the culvert at right angles to the roadway. However, the cost of any change in stream channel location required to accomplish this should be balanced against the cost of a skewed alignment of the culvert, and changes in channel hydraulics should be considered.

b. Grade and camber. The culvert invert gradient should be the same as the natural streambed to minimize erosion and silting problems. Foundation settlement should be countered by cambering the culvert to ensure positive drainage.

c. Entrance and outlet conditions. It is often necessary to enlarge the natural channel a considerable distance downstream of the culvert to prevent backwater from entering the culvert. Also, enlargement of the culvert entrance may be required to prevent ponding above the culvert entrance. The entrance and outlet conditions of the culvert structure directly impact its hydraulic capacity. Rounding or beveling the entrance corners increases the hydraulic capacity, especially for short culverts of small cross section. Scour problems can occur when abrupt changes are made to the streambed flow line at the entrance or outlet of the culvert.

5-2. Materials

Table 5-1 lists the applicable standards for the materials used in the design of reinforced concrete culverts.

5-3. Installation

a. Foundation material. Materials to be used for the culvert pipe foundation should be indicated on the drawings. Refer to the geotechnical foundation report for the project.

b. Bedding materials. Bedding class and materials for culverts should be indicated on the drawings. Beddings shown in the American Concrete Pipe Association's *Concrete Pipe Design Manual* (1992) are acceptable. When designing the bedding for a box culvert, assume the bedding material to be slightly yielding, and that a uniform support pressure develops under the box section.

5-4. Loadings

Assume that design loads for concrete culvert pipe are calculated as vertical pressures and that the horizontal pressures are controlled by the backfill requirements. Refer to Chapter 2 for typical loading calculations. Concentrated live loads for highway or railroad loadings should be applied as required by the standards of the affected authority and in accordance with Chapter 2 of this manual.

a. Railroad, highway, and aircraft loads. Culverts designed for loadings from railroads, highways, or aircraft need to satisfy the criteria of the affected authority. This manual presents data closely related to the requirements of the American Railway Engineering Association (AREA) (1996) and the American Association of State Highway Transportation Officials (AASHTO) *Standard Specifications for Highway Bridges* (AASHTO 1996). The method used to combine wheel live loads and earth loads on culverts is shown in Figure 5-2. The procedure presented in the *Concrete Pipe Design Manual* (American Concrete Pipe Association 1992) should be used to distribute aircraft wheel loads through pavement slabs to the top of the culvert. Railroad or highway loads may be ignored when the induced vertical stress fields are equal to or less than 4.8 kPa (100 psf), a depth of 2.4 m (8 ft) for highway loadings, or 9 m (30 ft) for railroad loadings. Note that the railroad and highway loads as shown are in accordance with ASTM A 796 and include an impact factor of 50 percent, which is higher than the impact loads required by AREA or AASHTO criteria.

b. Special point loads. Pressure bulb charts are acceptable for determining the nominal vertical stress fields from relatively small footings. Pressure bulbs for continuous and circular/square footings are shown in Figures 5-3 and 5-4, respectively. Consult a geotechnical engineer for lateral loads from surface surcharge loadings.

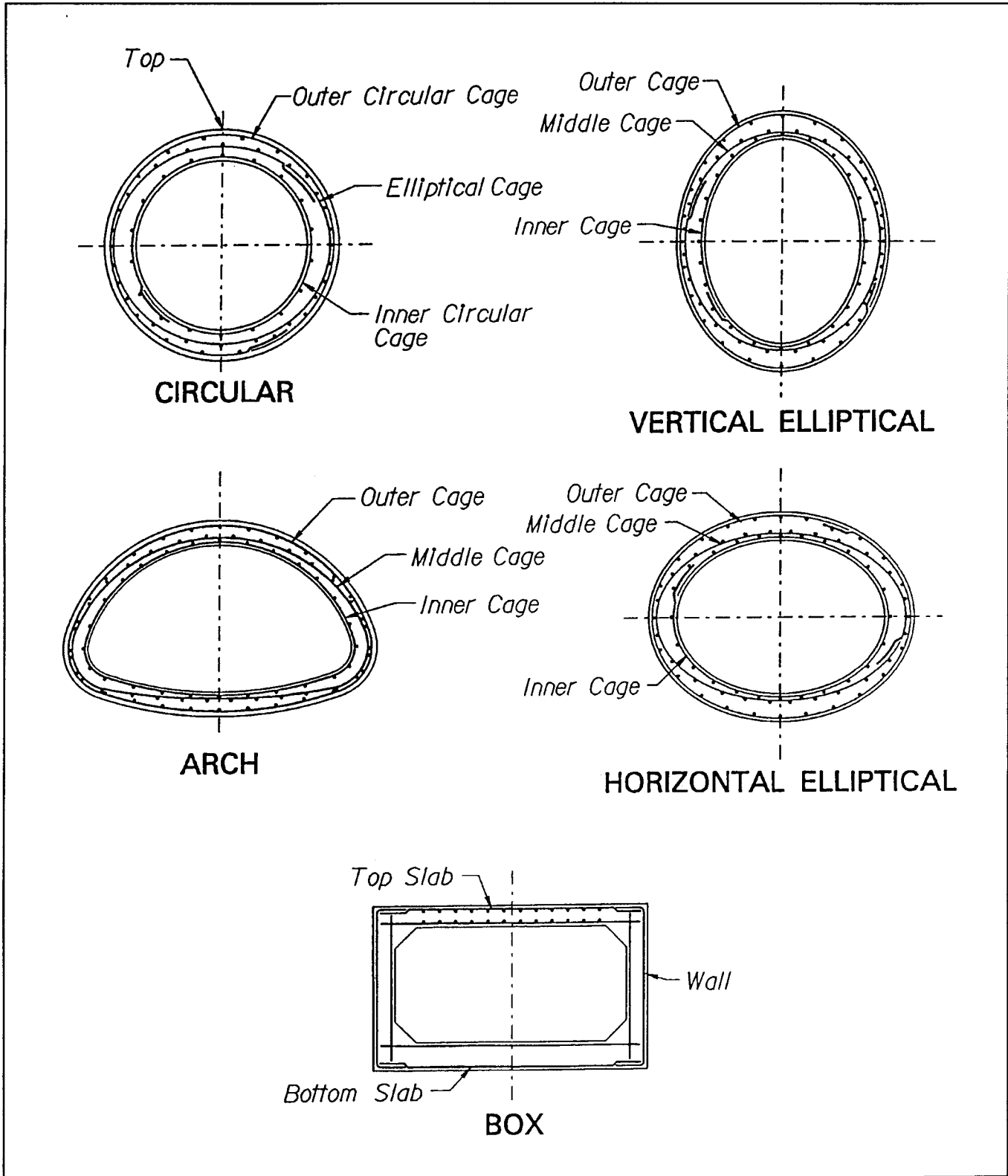
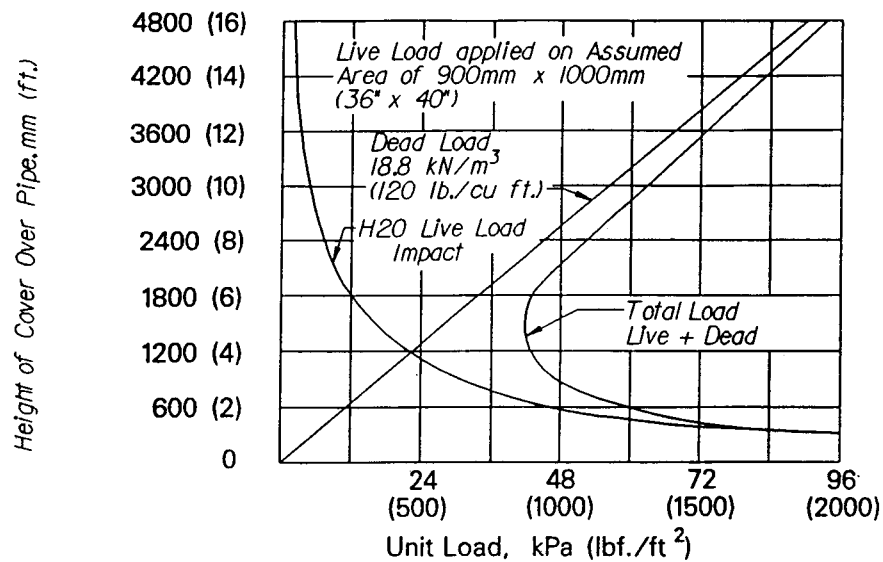
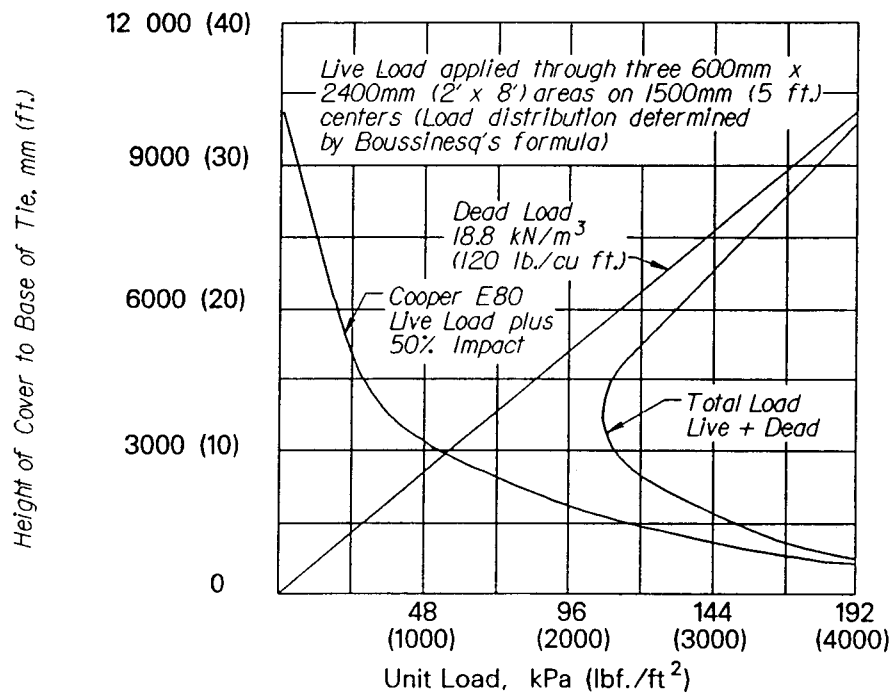


Figure 5-1. Precast culvert sections



Combined H20 highway live load and dead load is a minimum at about 1500mm (5 ft.) of cover, applied through a pavement 300mm (1 ft.) thick.



Railroad live load, Cooper E80, combined with dead load is a minimum at about 3600mm (12 ft.) Load is applied through three 600mm x 2400mm (2x8 ft.) areas on 1500mm (5 ft.) centers.

Figure 5-2. Highway and railroad loads (ASTM A 796)

Table 5-1
Materials for Reinforced Concrete Culverts

Materials	Standard	Description
Reinforced concrete circular <i>D-load</i> rated	ASTM C 76 M or AASHTO M 170 - Reinforced Concrete Culvert, Storm Drain and Sewer Pipe	Covers the use of reinforced concrete pipe for conveyance of sewage, industrial waste, storm-water drainage, and culverts for pipe with diameters from 305 to 3,660 mm (12 to 144 in.).
Reinforced concrete circular <i>D-load</i> rated tested	ASTM C 655 M or AASHTO M 242 - Reinforced Concrete D-Load Culvert, Storm Drain and Sewer Pipe	Similar to ASTM C 76 except that pipe may be accepted based on the factory <i>D-load</i> testing of nonstandard pipe classes.
Reinforced concrete arch	ASTM C 506 or AASHTO M 206 - Reinforced Concrete Arch Culvert, Storm Drain and Sewer Pipe	Covers pipe with equivalent circular diameters of 380 through 3,350 mm (15 through 132 in.).
Reinforced concrete elliptical	ASTM C 507 or AASHTO M 207 - Reinforced Concrete Elliptical Culvert, Storm Drain and Sewer Pipe	Uses classes of pipe for horizontal elliptical pipe with equivalent diameters of 450 through 3,660 mm (18 through 144 in.) and vertical elliptical pipe with equivalent diameters of 910 through 3,660 mm (36 through 144 in.).
Reinforced concrete pressure pipe	ASTM C 361 M - Reinforced Concrete Low-Head Pressure Pipe	Covers the use of pressure pipe for water heads up to 38 m (125 ft) in sizes from 305 through 2,740 mm (12 through 108 in.) in diameter.
Reinforced concrete box	ASTM C 789 M or AASHTO M 259 - Precast Reinforced Concrete Box Sections for Culverts, Storm Drains and Sewers	Covers the use of box culvert with more than 610 mm (2 ft) of earth cover over culverts that are intended for highway live loads. These sections range in size from 910-mm span by 610-mm rise (3-ft span by 2-ft rise) to a 3,050-mm span by 3,050-mm rise (10-ft span by 10-ft rise).
Reinforced concrete box less than 0.6 m (2 ft) cover HS-20	ASTM C 850 M or AASHTO M 273 - Precast Reinforced Concrete Box Section for Culverts, Storm Drains and Sewers	Applies to box sections with highway loadings with direct earth cover of less than 610 mm (2 ft). These sections range in size from a 910-mm span by 610-mm rise (3-ft span by 2-ft rise) to a 3,660-mm span by 3,660-mm rise (12-ft span by 12-ft rise).

5-5. Methods of Analysis

Wheel loads for highway HS 20 live loads may be distributed in accordance with ASTM C 857. This standard includes roof live loads, dead loads, and impact loads.

a. D-load pipe. Precast concrete sections (ASTM C 76, ASTM C 655, ASTM C 506, and ASTM C 507) are designed for *D-loads* related to the pipe class. Precast concrete sections (ASTM C 361, ASTM C 789, and ASTM C 850) are designed in accordance with the prescriptive procedures defined within the applicable ASTM. Therefore, bedding factors should be selected from Table 5-2 for trenches and calculated by using Equations 5-1 and 5-2. When the pipe is in an embankment, use Table 5-3 to calculate the load factor B_f . The value for C_c in Equation 5-2 should be taken from Figure 5-5. Use the B_f calculated by this procedure to calculate the *D-load* of the pipe. The hydraulic factor for precast concrete pipe should be one for culverts.

$$B_f = \frac{C_A}{C_N - X q} \quad (5-1)$$

$$q = \frac{Ap}{C_c} \left(\frac{H}{B_c} + Ep \right) \leq 0.33 \quad (5-2)$$

where

C_A = conduit shape constant from Table 5-3

C_N = parameter that is a function of the distribution of the vertical load and vertical reaction from Table 5-3

X = parameter that is a function of the area of the vertical projection of the pipe over which active lateral soil pressure is effective and is based on conduit shape from Table 5-3

A = the ratio of unit lateral soil pressure to unit vertical soil pressure based on conduit shape from Table 5-3

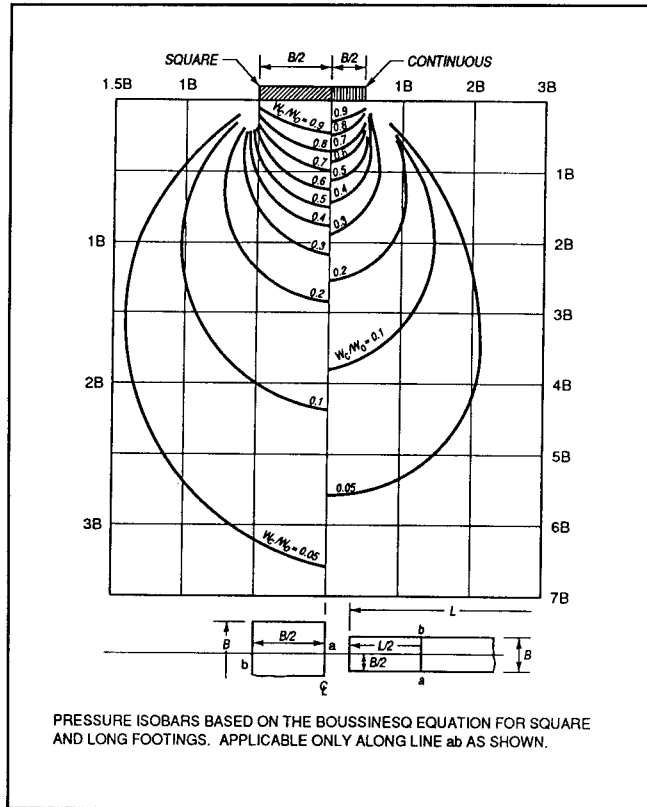


Figure 5-3. Pressure bulb: square and continuous footings

p = projection ratio, the vertical distance between the outside top of the pipe and the natural ground surface, divided by the outside horizontal diameter or span of the pipe B_c

C_c = load coefficient for positive projection pipe from Figure 5-5

H = height of fill, m (ft), above top of pipe to top of fill

B_c = outside diameter or span of the conduit, m (ft)

E = load coefficient based on conduit shape from Table 5-3

q = ratio of the lateral pressure to the total vertical load

b. Box sections. Box sections are specified for the installed condition rather than a D -load rating, and these conditions are related to highway loadings and depth of

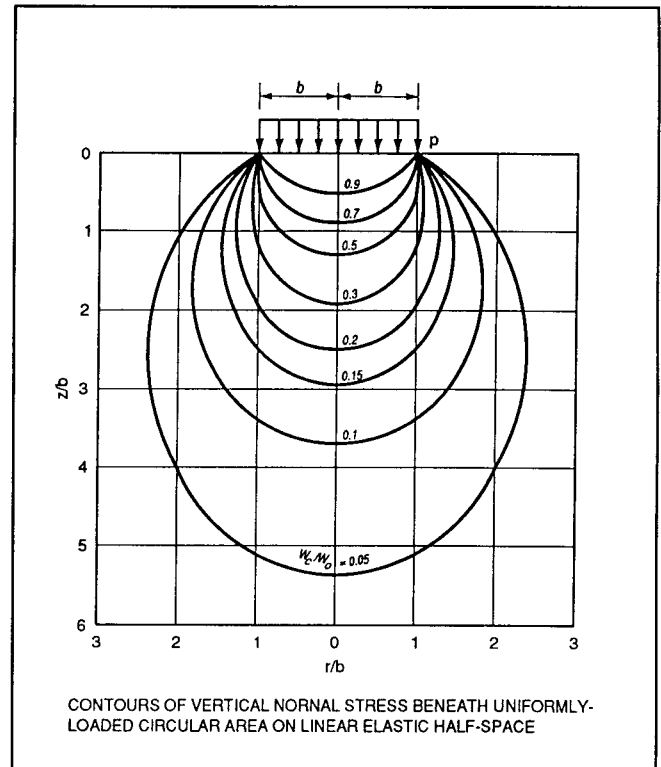


Figure 5-4. Pressure bulb: Circular area

earth cover. ASTM C 789 has standard designs for AASHTO H 20 and HS 20 loadings when the depth of fill is more than 610 mm (2 ft) or for dead load only. ASTM C 850 provides standard designs for dead loads only or in combination with AASHTO H 20 or HS 20 loadings when earth cover is less than 610 mm (2 ft).

5-6. Joints

The three types of joints used in concrete culvert construction are the O-ring gasket, the flat gasket, and the packed joint. Packed joints include mortar or mastic packing which should be used only when watertightness or joint movement is not a concern. Therefore, on culvert construction use a gasketed joint, and wrap the joint with a suitable filter fabric material to prevent soil migration into the pipe. Filter fabric requirements should be as stated in the geotechnical engineer's soils report for the project.

a. Rubber gaskets for circular pipe. ASTM C 443 M requires this joint to hold an internal or external water pressure of 90 kPa (13 psi) for straight alignments and 70 kPa (10 psi) for axially deflected alignments.

Table 5-2
Design Value Parameters for Load Factor: Trenches

Shape	Bedding	Cradle Reinforcement	Bedding Factor (B_f)
Circular (only)	A (Concrete)	$A_s = 1.0\%$	4.8
		0.4	3.4
		0.0 (Plain Concrete)	2.8
All shapes	B (Shaped)		1.9
All shapes	C (Shaped)		1.5
Circular (only)	D (Impermissible: Flat)		1.1

Table 5-3
Design Value Parameters for Load Factor: Embankments

Shape	C_A (Shape Factor)	Bedding Class	C_N (Distribution Factor)	Projection Ratio, ρ	X (Lateral Projection Factor)
Circular: $A = 0.33$, $E = 0.50$					
	1.431	Class B (Shaped)	0.707	1.0	0.638
		Class C (Shaped)	0.840	0.9	0.655
				0.7	0.594
				0.5	0.423
				0.3	0.217
				0.0	0.000
Horizontal Elliptical and Arch: $A = 0.23$, $E = 0.35$					
	1.337	Class B	0.630	0.9	0.421
		Class C	0.763	0.7	0.369
				0.5	0.268
				0.3	0.148
Vertical Elliptical: $A = 0.48$, $E = 0.73$					
	1.021	Class B	0.516	0.9	0.718
		Class C	0.615	0.7	0.639
				0.5	0.457
				0.3	0.238

b. *External band gaskets for noncircular pipe.* ASTM C 877 applies to arch, elliptical, and box pipe sections. These sealing bands are adequate for external hydrostatic pressures of up to 90 kPa (13 psi). Joints on the installed pipe should be tested when watertightness is a concern. Sealing bands that meet this standard can be rubber and mastic or plastic film and mesh-reinforced mastic.

c. *Field pipe joint testing.* When watertight joints are required, one of the test methods referenced below should be used.

(1) Low-pressure air test. ASTM C 924 covers exfiltration testing of 100- to 610-mm (4- to 24-in.) concrete pipe with gasketed joints and demonstrates the condition of the pipe prior to backfilling.

(2) Infiltration/exfiltration test. ASTM C 969 covers the testing of concrete pipes up to 210 m (700 ft) in length between manholes. The infiltration test is used when the groundwater level is 1,800 mm (6 ft) above the crown of the pipe and allows a leakage including manholes of 18.5 L/(mm-diameter) (km) (24 hr) ((200 gal/(in.-diameter) (mile) (24 hr)). The exfiltration test is used when the groundwater level is 910 mm (3 ft) below the invert of the pipe and allows a leakage including manholes of 18.5 L/(mm-diameter) (km) (24 hr) ((200 gal/(in.-diameter) (mile) (24 hr)) with an average head of 0.9 m (3 ft) or less. The Corps of Engineers exfiltration test allows a leakage rate of 23.1 L/(mm-diameter) (km) (24 hr) ((250 gal/(in.-diameter) (mile) (24 hr)) for pipeline construction. This test method does not apply to water retention structures.

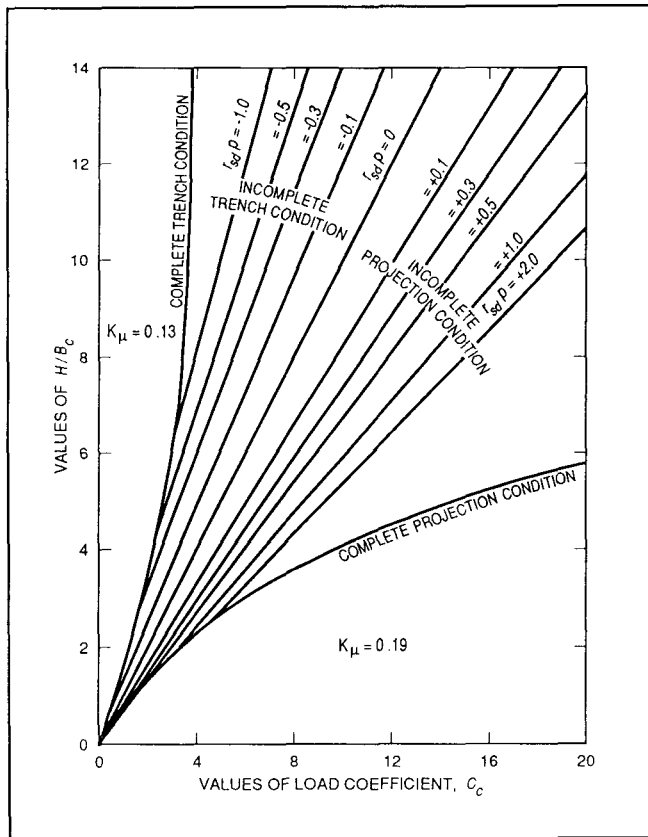


Figure 5-5. Load coefficient C_c for positive projection embankment condition

(3) Joint acceptance test. ASTM C 1103 covers the testing of joints by using air or water under low pressure to demonstrate the joint integrity of pipes with a diameter greater than 675 mm (27 in.). The internal pressure of the pipe should be maintained at 24 kPa (3.5 psi) above the design groundwater pressure of the pipe for 5 seconds. This test is used as a go/no-go test for the joint prior to backfilling the pipe.

(4) Negative air test. ASTM C 1214 covers the testing of concrete pipe with a negative air pressure for 100- to 910-mm- (4- to 36-in.-) diameter pipe using gasketed joints. Testing times and air loss vary based on pipe diameter for the pressure to drop from 177.8 to 127 mm (7 to 5 in.) of mercury.

5-7. Camber

Where considerable foundation settlement is likely to occur, camber should be used to ensure positive drainage and to accommodate the extension of the pipe due to settlement.

Chapter 6 Plastic Pipe for Other Applications

6-1. General

a. Plastic pipes. Plastic pipes are available in both solid wall and profile wall thermoplastic acrylonitrile-butadiene-styrene (ABS), high-density polyethylene (HDPE), and polyvinyl chloride (PVC) pipes, as well as thermoset reinforced plastic mortar (RPM) pipes. They all possess the general attributes normally associated with plastics including light weight, long lengths, tight joints, and resistance to normal atmospheric corrosion. All these pipes are flexible, and in general the design considerations are similar to metal pipes. However, due to the visco-elastic nature of these materials, the time under load condition may require that long-term material properties be used in the design. Additionally, each specific grade of material, as well as the type of pipe (i.e., solid or profile) dictates the design properties.

b. Selection considerations. Plastic pipes vary significantly in strength, stiffness, and performance. Differences depend more on their design and intended use than on the specific pipe wall material. A thorough evaluation of the intended use and detailed material, jointing, and backfill specifications is necessary to ensure performance. Use of plastic pipes in drainage and subdrainage applications is increasing. However, their use in low cover with heavy wheel loads or high cover applications is limited (refer to paragraph 6-3). Plastic pipe will not be used through embankments of dams and levees without approval from HQUSACE. Plastic pipes will typically be used for drainage piping behind structures.

6-2. Materials

a. Plastic materials. The piping materials discussed in this chapter include ABS, HDPE, and PVC thermoplastic pipes and RPM thermosetting resin pipes. Thermoplastic pipes include both solid wall (smooth, solid pipe wall extrusions), as well as profile wall (corrugated, ribbed, etc.) pipes that provide the indicated level of pipe stiffness while providing a limited wall area to carry ring compression.

b. Profile wall pipe. These pipes are commonly more economical, especially in diameters exceeding 200 mm (8 in.). However, they provide 50 to 70 percent of the wall area when compared to equal stiffness solid wall pipes of the same material. This limits their

load-carrying capability in high cover applications and also limits beam strength.

c. Reinforced plastic mortar. These pipes are strain sensitive. If the surface resin layer strain cracks, the reinforcing glass is exposed to corrosion. The manufacturer will supply strain limits which are typically in the 0.5 to 1.0 percent range. Control of deflection and localized deformation are very important in design and construction.

d. Plastic pipe systems. These systems are summarized in Table 6-1. Typical mechanical properties for plastic pipe design are shown in Table 6-2, and average values for the modulus of soil reaction are shown in Table 6-3.

e. Applications. Intended applications are provided in the American Society for Testing and Materials (ASTM) or American Association of State Highway and Transportation Officials (AASHTO) specification. The highest (most stringent) use is summarized above. Generally, piping systems can be downgraded in application and provide excellent performance, but they cannot be upgraded. Sanitary sewer pipes perform well in culvert, drainage, and subdrainage (if perforations are provided) applications. However, unperforated land drainage pipes do not perform well as culverts or sewers.

(1) Culverts. For culvert applications, the exposed ends of some types of plastic pipes need protection from exposure to ultraviolet, thermal cycling, etc. Concrete or metal end sections, headwalls, or other end protection is recommended.

(2) Pipe stiffness. Product specifications typically provide minimum pipe stiffness levels. Pipe stiffness and its relationship to AASHTO Flexibility Factor (FF) limits for adequate installation stiffness are provided in paragraph 6-5. In installations where poorly graded granular (SP, GP, etc.) or cohesive (CL or ML) backfill materials are to be used, specifying a stiffer pipe than required by the minimum design criteria is recommended (refer to paragraph 6-5).

(3) Gravity flow. The listed materials, except as noted, are gravity flow piping systems limited to applications where internal hydrostatic heads will not exceed 7.6 m (25 ft) of water.

f. Joints. The types of joints available for each system are shown in Table 6-4. When watertight joints

**Table 6-1
Plastic Pipe Systems**

Standard	Primary Use	Diameters	Joints
AASHTO M 294 Corrugated HDPE Pipe (Profile Wall)	Storm sewer when the smooth interior wall (M 294-S) is specified, land drainage when it is not (M 294-C)	305 to 900 mm (12 to 36 in.)	Various - must be specified for degree of performance.
ASTM D 2680 ABS Composite Pipe (Profile Wall)	Sanitary sewer	200 to 380 mm (8 to 15 in.)	Solvent weld (watertight)
ASTM D 2680 PVC Composite Pipe (Profile Wall)	Sanitary sewer	200 to 380 mm (8 to 15 in.)	Gasketed or solvent weld (watertight)
ASTM D 3034 PVC Pipe (Solid Wall)	Sanitary sewer	100 to 380 mm (4 to 15 in.)	Gasketed or solvent weld (watertight)
ASTM D 3262 RPM Pipe (Solid Wall)	Sanitary sewer	76 to 1,240 mm (3 to 49 in.)	Gasketed
ASTM F 667 Corrugated HDPE Pipe (Profile Wall)	Land drainage	200 to 610 mm (8 to 24 in.)	Various - must be specified for degree of performance
ASTM F 714 HDPE Pipe (Solid Wall)	Sanitary sewer or pressure	76 to 1,200 mm (3 to 48 in.)	Fusion welded
ASTM F 794 PVC Pipe (Profile Wall)	Sanitary sewer	200 to 1,200 mm (8 to 48 in.)	Gasketed (watertight)
ASTM F 894 Profile Wall HDPE Pipe	Sanitary sewer	460 to 2,450 mm (18 to 96 in.)	Gasketed or fusion welded (watertight)
ASTM F 949 Profile Wall PVC Pipe	Sanitary sewer	200 to 1,200 mm (8 to 48 in.)	Gasketed (watertight)
AASHTO M 304	Nonpressure storm drains, culverts, underdrains, and other subsurface drainage systems	100 to 1,200 mm (4 to 48 in.)	Soiltight or watertight: bells, external sleeves, internal sleeves, and band couplers

are required, gasketed joints meeting ASTM D 3212, solvent welded, or fusion welded joints may be used. Solvent welded and fusion welded joints are as strong as the pipe and provide excellent pull-apart strength for slope drain and other applications. However, PVC solvent welded joints should not be specified for installation in wet conditions or when temperatures are cold. Fusion welding requires special equipment and skill, and it can be time-consuming and, in remote areas or with large pipes, costly.

g. Granular backfill. Culvert and drainage applications with granular backfills require soil-tight joints to prevent the migration of fine backfill materials into the pipe. Gasketed, solvent welded, or fusion welded joints are recommended unless each joint is wrapped with a geotextile.

6-3. Installation

The strength of all plastic pipe systems depends on the quality and placement of the bedding and backfill material. Unless flowable concrete or controlled low-strength materials (CL, SM) are used, ASTM D 2321 will be followed for all installations except for perforated pipes in subdrainage applications.

a. Backfill materials. Using ASTM Class IVA materials (CL, ML, etc.) is not recommended. Clayey and silty materials may provide acceptable performance only in low live load and low cover less than 3 m (10 ft) applications where they can be placed and compacted in dry conditions at optimum moisture levels. They do not apply where they may become saturated or inundated

Table 6-2
Mechanical Properties for Plastic Pipe Design

Type of Pipe	Initial Minimum Tensile Strength MPa (psi)	Initial Minimum Modulus of Elasticity MPa (psi)	Standard Cell Class	50-Year Minimum Tensile Strength MPa (psi)	50-Year Minimum Modulus of Elasticity MPa (psi)	Strain Limit Percent (%)	Pipe Stiffness kPa (psi)
Smooth Wall, PE	20.7 (3,000)	758 (110,000)	ASTM D 3350, 335434C ASTM F 714	9.93 (1,440)	152 (22,000)	5	Varies
Corrugated PE	20.7 (3,000)	758 (110,000)	ASTM D 3350, 335412C AASHTO M 294	6.21 (900)	152 (22,000)	5	Varies
Ribbed, PE	20.7 (3,000)	758 (110,000)	ASTM D 3350, 335434C AASHTO M 278 ASTM F 679	9.93 (1,440)	152 (22,000)	5	320 (46)
Ribbed, PE	20.7 (3,000)	758 (110,000)	ASTM D 3350, 335434C AASHTO M 278 ASTM F 679	9.93 (1,440)	152 (22,000)	5	320 (46)
Smooth Wall, PVC	48.3 (7,000)	2,758 (400,000)	ASTM D 1754, 12454C AASHTO M 278 ASTM F 679	25.51 (3,700)	965 (140,400)	5	320 (46)
Smooth Wall, PVC	41.4 (6,000)	3,034 (440,000)	ASTM D 1784, 12364C ASTM F 679	17.93 (2,600)	1,092 (158,400)	3.5	320 (46)
Ribbed, PVC	41.4 (6,000)	3,034 (440,000)	ASTM D 1784, 12454C ASTM F 794	17.93 (2,600)	1,092 (158,400)	3.5	70 (10) 320 (46)
Ribbed, PVC	48.3 (7,000)	2,758 (400,000)	ASTM D 1784, 12454C ASTM F 794 & ASTM F 949	25.51 (3,700)	965 (140,000)	5	348 (50)
PVC Composite	48.3 (7,000)	2,758 (400,000)	ASTM D 1784, 12454C ASTM D 2680	25.51 (3,700)	965 (140,000)	5	1,380 (200)

during service. When used, these materials must be approved by the geotechnical engineer.

b. Pipe envelope. The pipe envelope and bedding and backfill terms are illustrated in Figure 6-1.

c. Seepage control. When seepage along the pipeline is a consideration, a drainage fill detail is required as discussed in paragraph 1-6.e. If flowable concrete, CLSM, or other such materials are used, note that these materials do not adhere to plastics and will not control seepage unless a sufficient number of rubber water stops (gaskets) are used. Piping systems intended for sanitary sewer applications offer water stop gaskets that seal to the outer pipe wall and bond to concrete.

d. Subdrainage applications. For this application, open grade, nonplastic granular backfill materials compacted to 90 percent relative density in accordance with ASTM D 4254 and D 4253 will be used to fill the pipe zone above the invert. Granular backfill should be wrapped in a suitable geotextile to prevent the migration of soil fines into the granular material.

e. Foundation. Foundation is the in situ material struck to grade or the trench bottom below the pipe and its bedding layer. The foundation supports the pipe and maintains its grade. Plastic pipes, due to their viscoelastic properties, do not provide the necessary long-term beam strength to bridge soft spots or settlement of the foundation. The foundation must carry the fill loads with

Table 6-3
Average Values of Modulus of Soil Reaction E' (For Initial Flexible Pipe Deflection)

Soil Type Pipe Bedding Material (Unified Classification System ^a)	E' for Degree of Compaction of Bedding, in MPa (psi)			
	Dumped	Slight <85% Proctor, 40% Relative Density	Moderate, 85%- 95% Proctor, 40%-70% Relative Density	High >95% Proctor, >70% Relative Density
Fine-grained soils (LL > 50) ^b Soils with medium to high plasticity CH, MH, CH-MH	No data available; consult a competent soils engineer; otherwise use $E' = 0$			
Fine-grained soils (LL < 50) Soils with medium to no plasticity, CL, ML, ML-CL, with less than 25% coarse- grained particles	0.34 (50)	1.38 (200)	2.76 (400)	6.89 (1,000)
Fine-grained soils (LL < 50) Soils with medium to no plasticity, CL, ML, ML-CL, with more than 25% coarse-grained particles	0.69 (100)	2.76 (400)	6.89 (1,000)	13.79 (2,000)
Coarse-grained soils with fines GM, GC, SM, SC contains more than 12% fines				
Coarse-grained soils Little or no fines GW, GP, SW, SP ^c contains less than 12% fines	1.38 (200)	6.89 (1,000)	13.79 (2,000)	20.68 (3,000)
Crushed rock	6.89 (1,000)	20.68 (3,000)	20.68 (3,000)	20.68 (3,000)

Note: Standard proctors in accordance with ASTM D 698 are used with this table. Values applicable only for fills less than 50 ft (15 m). Table does not include any safety factor. For use in predicting initial deflections only, appropriate Deflection Lag Factor must be applied for long-term deflections.

^aASTM Designation D 2487, USBR Designation E-3.

^bLL = Liquid limit.

^cOr any borderline soil beginning with one of these symbols (i.e. GM-GC, GC-SC).

Table 6-4
Requirements for Joints

Type of Joint	Standards	Requirements
Gravity-flow gasketed	ASTM D 3212	Internal Pressure: Certified test reports are required for each diameter of pipe used. External Pressure: 7620 mm (25 ft) water head for 10 minutes when subjected to 560 mm (22 in.) of mercury, 7620 mm (25 ft) of water vacuum for 10 minutes.
Pressure-rated gasketed	ASTM D 3919, ASTM C 900, & AWWA C 950	Internal Pressure: ASTM D 3919, Requires pressure testing, ASTM C 900, same requirements of D 3919, American Water Works Association (AWWA) C 950, same requirements as ASTM D 4161. External Pressure: ASTM D 3919, Vacuum tested to only 7620 mm (25 ft) of water at any pressure rating, ASTM C 900, same requirements as D 3919, AWWA C 950, same requirement as ASTM D 4161.
Pressure-rated and nonpressure gasketed	ASTM D 4161	Internal Pressure: Tested to twice the rated pressure for pressure pipe or 200 kPa (29 psi) for non-pressure pipe. External Pressure: Requires an external rating of 8230 mm (27 ft) of water head for 10 minutes.
Solvent joints	---	Solvent cemented joints for PVC (not recommended in wet conditions) and ABS pipes typically have tightness requirements. These joints are not recommended for ABS or PVC pipe as there are no standards for joint integrity.
Butt-fused	---	For HDPE solid-wall. No standards for joint integrity.
Extrusion-welded	---	For HDPE. No standards for joint integrity.

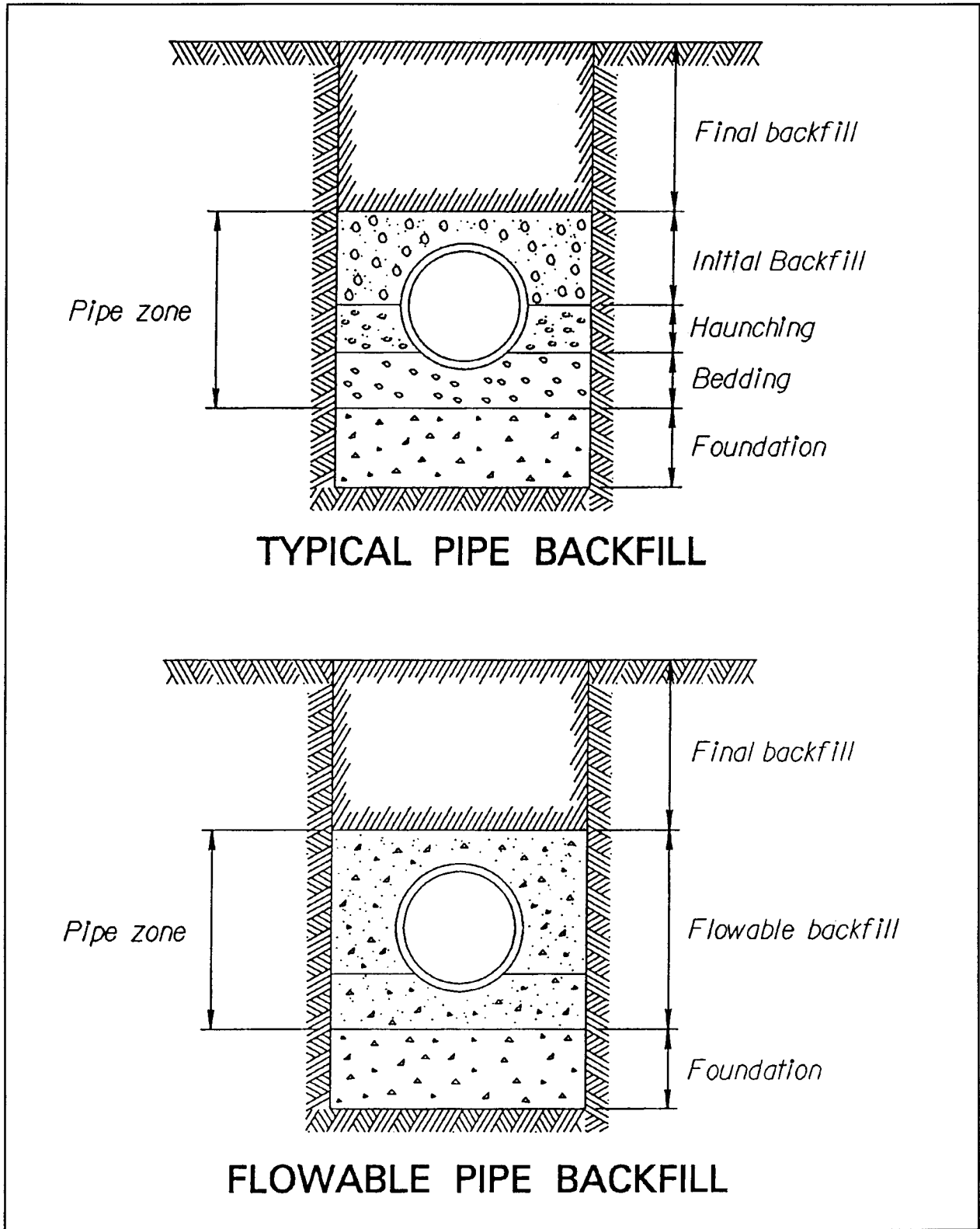


Figure 6-1. Flexible pipe backfill

a suitable limit on settlements which will be directly exhibited as grade changes that occur over the pipe as sags develop in the pipe. Where the foundation is inadequate, it may be improved by overexcavation and replacement with compacted ASTM D 2321 backfill materials, surcharged to induce the settlement beforehand. Concrete cradles and other pipe supports should not be used.

f. *Bedding.* Bedding is used to support the pipe directly over the foundation material. For plastic pipe, the bedding material is typically granular. The proper selection of bedding material ensures the proper soil-pipe interaction and the development of pipe strength. The strength of the plastic pipe is built in the trench. Concrete cradles should not be used under plastic pipe, because these pipes are subject to wall crushing at the springline or local buckling at the contact point between the pipe and the cradle.

g. *Haunching.* Haunching the volume of backfill supports the pipe from the top of the bedding to the springline of the pipe. Compaction of the pipe haunch areas is critical to the successful installation of plastic pipes and prevents pipe sagging in the haunch area. Special construction procedures are necessary when installing plastic pipe in a trench box, as the haunching material can slough away from the pipe wall when the trench box is advanced. The designer should review the contractor's construction procedures when using a trench box.

h. *Initial backfill.* Initial backfill is the material placed above the springline and 305 mm (12 in.) over the pipe. Completion of this zone with well-compacted granular material ensures that the pipe strength is developed.

i. *Final backfill.* Final backfill is the material that completes the pipe installation and brings the trench to final grade. Proper compaction is required in the trench to limit surface settlements. A minimum depth of final backfill over plastic pipe of 610 mm (2 ft) is recommended when installing plastic pipe under paved surfaces. Since these soils do not completely rebound, the surface pavement will crack and settle with time if less than minimum cover is used. Therefore, a well-compacted backfill is required for the pipe to function properly.

j. *Flowable backfill.* Flowable backfill is used to replace the pipe zone materials described above. Flowable backfill places a CLSM around the pipe to

ensure good support for the pipe, yet uses a material that can be easily removed if the pipe needs to be replaced in the future.

6-4. Loadings

Vertical trench loads for plastic pipe are calculated as indicated in Chapter 2. The horizontal pressures are controlled by the granular backfill requirements. These loads are calculated as shown in Chapter 2. Concentrated live loads for plastic pipe are designed for highway or railroad loadings as required by standards of the affected authority. Normally, these pipes will require a casing pipe when crossing under highways and railroads, or the pipe may be encased in CLSM.

6-5. Methods of Analysis

Plastic pipe analysis requires the designer to check values that include pipe stiffness, pipe deflection, ring buckling strength, hydrostatic wall buckling, wall crushing strength, and wall strain cracking.

a. *Pipe stiffness.* When plastic pipe is installed in granular backfills, the stiffness of the plastic pipe selected will affect the end performance. Stiffness for plastic pipes is most widely discussed in terms of pipe stiffness ($F/\Delta Y$) which must be measured by the ASTM D 2412 test. Most plastic pipe standards have specific minimum required pipe stiffness levels. While pipe stiffness is used to estimate deflections due to service loads, stiffness is also the primary factor in controlling installation deflections. AASHTO controls installation deflection with a flexibility factor (FF) limit indicated in Equations 6-1 and 6-2.

$$FF = \frac{D^2}{EI} * 1000 \leq C_{FF} \quad (6-1)$$

$$PS = \frac{EI}{0.149R^3} \geq \frac{C_{PS}}{D} \quad (6-2)$$

where

D = mean pipe diameter, m (in.)

E = the initial modulus (Young's modulus) of the pipe wall material, N/m² (psi)

I = pipe wall moment of inertia, m⁴/m (in.⁴/in.)

C_{FF} = Constant: 0.542 metric (95 english)

PS = pipe stiffness, N/m/m (lbs/in./in.)

R = mean pipe radius, m (in.)

C_{PS} = Constant: 98946 metric (565 english)

b. Deflection.

(1) Excessive pipe deflections should not occur if the proper pipe is selected and it is properly installed and backfilled with granular materials. However, when pipes are installed in cohesive soils, the deflection can be excessive. Deflections occur from installation loadings (the placement and compaction of backfill) and service loads due to soil cover and live loads.

(2) In installations, where heavy compaction equipment is often used, or when difficult to compact backfill materials (GP, SP, CL, ML, etc.) are used, specifying a minimum pipe stiffness of 317 kPa (46 psi) or twice that required by Equation 6-2, whichever is less, is desirable to facilitate backfill compaction and control installation deflections.

(3) Deflections under service loads depend mostly on the quality and compaction level of the backfill material in the pipe envelope. Service load deflections are generally evaluated by using Spangler's Iowa Formula. However, it significantly overpredicts deflections for stiffer pipes (pipe stiffnesses greater than 4,790 N/m/m (100 lb/in./in.) and underpredicts deflections for less stiff pipes (pipe stiffnesses less than 960 N/m/m (20 lb/in./in.). In both cases, the error is roughly a factor of 2.0. The form of the Iowa Formula easiest to use is shown in Equation 6-3.

$$\frac{\Delta Y}{D} = \left(\frac{D_L K P}{0.149 (PS) + 0.061 (E')} \right) 100 \quad (6-3)$$

where

$\Delta Y/D$ = pipe deflection, percent

D_L = deflection lag factor
 = 1.0 minimum value for use only with granular backfill and if the full soil prism load is assumed to act on the pipe
 = 1.5 minimum value for use with granular backfill and assumed trench loadings
 = 2.5 minimum value for use with CL, ML backfills, for conditions where the backfill can become saturated, etc.

K = bedding constant (typically 0.11)

P = service load pressure on the crown of the pipe, N/m² (psi)

PS = pipe stiffness, N/m/m (lb/in./in.)

E' = modulus of soil reaction as determined by the geotechnical engineer, N/m² (psi)

Note: Table 6-3 provides generally accepted values that may apply to specific site conditions and backfill materials if they do not become saturated or inundated.

b. Wall stress (crushing). Wall stress is evaluated on the basis of conventional ring compression formulas. Because of the time-dependent strength levels of plastic materials, long-term loads such as soil and other dead loads must be evaluated against the material's long-term (50-year) strength. Very short term loads, such as rolling vehicle loads, may be evaluated using initial properties. Use Equations 6-4 through 6-6 to evaluate wall stress.

$$T_{ST} = \frac{DP_{ST}}{2} \quad (6-4)$$

$$T_{LT} = \frac{DP_{LT}}{2} \quad (6-5)$$

$$A \geq 2 \left(\frac{T_{ST}}{f_i} + \frac{T_{LT}}{f_{50}} \right) * 10^6 \quad (6-6)$$

where

T_{ST} = thrust due to short-term loads

D = pipe diameter or span, m (ft)

P_{ST} = short-term loading pressure at the top of the pipe, N/m² (psf)

T_{LT} = thrust due to long-term loads

P_{LT} = long-term loading pressure at the top of the pipe, N/m² (psf)

A = required wall area using a minimum factor of safety of 2.0 (A/10⁶ in.²/ft)

f_i = initial tensile strength level, N/m² (psi)
(Table 6-2)

f_{50} = 50-year tensile strength level, N/m² (psi)
(Table 6-2)

c. *Ring buckling.* The backfilled pipe may buckle whether the groundwater table is above the bottom of the pipe or not. The critical buckling stress may be evaluated by the AASHTO formula shown in Equation 6-7.

$$f_{cr} = 0.77 \frac{R}{A} \sqrt{\frac{BM_s EI}{0.149R^3}} \quad (6-7)$$

where

f_{cr} = maximum, critical stress in the pipe wall, N/m² (psi), using a factor of safety of 2.0

R = mean pipe radius, m (in.)

A = pipe wall area, mm²/m (in.²/in.)

B = water buoyancy factor
= 1 - 0.33 h_w/h

h_w = height of water surface above the top of the pipe, m (ft)

h = height of cover above the top of the pipe, m (ft)

M_s = Soil modulus (of the backfill material, N/m² (psi)), as determined by a geotechnical engineer

E = 50-year modulus of elasticity of the pipe wall material, N/m² (psi) (Table 6-2)

I = pipe wall moment of inertia, mm⁴/m (in.⁴/in.)

d. *Hydrostatic buckling.*

(1) When pipes are submerged but not adequately backfilled, such as service lines laid on the bottom of a lake, the critical hydrostatic pressure to cause buckling can be evaluated by the Timoshenko buckling formula provided in Equation 6-8. The variable C is used to account for decrease in buckling stress due to pipe out of roundness P_{cr} .

$$P_{cr} = C \left(\frac{K EI}{(1 - \nu^2) R^3} \right) \quad (6-8)$$

where

P_{cr} = critical buckling pressure, N/m² (psf)

C = ovality factor at: 0 % deflection, $C = 1.0$;
1%, 0.91; 2%, 0.84; 3%, 0.76; 4%, 0.70, and
5%, 0.64

K = constant 1.5 (10)⁻¹² metric, 216 non-SI

ν = Poisson's ratio for the pipe wall material
(typically 0.33 to 0.45) other factors same as
Equation 6-7

(2) A factor of safety of 2.0 is typically applied for round pipe. However, note that 5 percent pipe deflection reduces P_{cr} to 64 percent of its calculated value.

(3) Equation 6-8 can be conservatively applied to hydrostatic uplift forces acting on the invert of round pipes.

e. *Wall strain cracking.* Wall strain cracking is a common mode of failure in plastic pipe, especially RPM and reinforced thermosetting resin (RTR) pipes, the two common forms of fiberglass pipe. Refer to ASTM D 3839 for the standard practice to install these pipes and to ASTM D 3262 for the minimum allowable strain limits for these pipes. The manufacturer of the pipe material must provide the maximum allowable wall strain limit based upon ASTM D 3262. Also, AASHTO provides information on the allowable long-term strain limits for many plastics. Excessive wall strain in fiberglass pipe will lead to an accelerated premature failure of the pipe. The typical long-term strain value for HDPE and PVC is 5 percent at a modulus of 2,760 MPa (400,000 psi), or 3.5 percent for PVC with a modulus of 3,030 MPa (440,000 psi). Refer to Equation 6-9.

$$\epsilon_b = \frac{t_{max}}{D} \left(\frac{0.03 \frac{\Delta Y}{D}}{1 - 0.02 \frac{\Delta Y}{D}} \right) \leq \frac{\epsilon_{limit}}{FS} \quad (6-9)$$

where

ϵ_b = bending strain due to deflection, percent

t_{max} = pipe wall thickness, m (in.)

D = mean pipe diameter, m (in.)

$\Delta Y/D$ = pipe deflection, percent

ϵ_{limit} = maximum long-term strain limit of pipe wall, percent

FS = factor of safety (2.0 recommended)

f. Flowable backfill. This material has a compressive strength less than 3.4 MPa (500 psi). Flexural

strength is not a concern since cracking of the backfill material does not control the design of the pipe. A cracked backfill material would still form an arch over the pipe and provide adequate support.

6-6. Joints

Requirements for joints are provided in Table 6-4.

6-7. Camber

Where considerable foundation settlement is likely to occur, camber should be used to ensure positive drainage and to accommodate the extension of the pipe due to settlement.

Chapter 7 Ductile Iron Pipe and Steel Pipe for Other Applications

7-1. General

a. Ductile iron pipe (DIP). Ductile iron pipe has replaced cast iron pipe in use and application. Ductile iron pipe is used under levees and for water mains and other installations where fluids are carried under pressure. It is also suitable for pressure sewers and for gravity sewers where watertightness is essential. It can resist relatively high internal and external pressures and corrosion in most soils. However, it is subject to corrosion caused by acids, highly septic sewage, and acid soils. It is generally available in sizes up to about 1,625 mm (64 in.). Flexible bolted joints are required under levees and in other locations where differential settlement is anticipated.

b. Steel pipe. Steel pipe should be used for discharge lines from pumping stations for flood protection work. In general, these pipes should be carried over rather than through the levee. Steel pipe should be designed in accordance with American Water Works Association (AWWA) M11 (AWWA 1985).

7-2. Materials

The standards listed in Table 7-1 may be referenced by designers using these materials.

7-3. Installation

Ductile iron pipe is normally installed in the trench condition. When using first-class beddings and a backfill compacted to 90 percent standard proctor, American Association of State Highway and Transportation Officials (AASHTO) T-99 or better, the values shown below apply. When other beddings and backfill conditions are used, refer to American Society for Testing and Materials (ASTM) A 746 for loading constants.

7-4. Loadings

Because ductile iron pipe is normally installed only in the trench condition, this is the only loading condition discussed in this chapter.

7-5. Methods of Analysis

Equation 7-1 for bending stress and Equation 7-2 for deflection are used to calculate the maximum trench load the pipe can withstand for earth and live loads in terms of the vertical field stress as N/m^2 (psi). It is recommended that a Type 4 (ASTM A 746) bedding be used and that actual pipe beddings and backfills be verified by a geotechnical engineer.

Table 7-1
Materials for Ductile Iron and Steel Pipe

Materials	Standard	Notes
Ductile Iron Pipe	ASTM A 746 - Ductile Iron Sewer Pipe	This standard covers ductile iron pipe with push-on joints. Loading covered for this pipe is a trench condition for cement-mortar-lined or asphaltic-lined pipe.
	AWWA C150/A21.50 American National Standard for the Thickness Design of Ductile-Iron Pipe	---
	AWWA C110/A21.10, American National Standard for Ductile-Iron and Gray-Iron Fittings 3 in. through 48 in. (75 mm thru 1220 mm for Water and Other Liquids	There is a compatible standard from American Society of Mechanical Engineers (ASME).
	AWWA C115/A21.15, American National Standard for Flanged Ductile-Iron Pipe with Threaded Flanges	There is a compatible standard from ASME.
Steel Pipe	AISI 1989, Welded Steel Pipe-Steel Plate Engineering Data-Vol. 3	---

$$P_v = \frac{f}{3 \left(\frac{D^2}{t^2} - \frac{D}{t} \right) \left\{ K_b - \frac{K_x}{\left[\frac{8 \frac{E}{E'}}{\left(\frac{D}{t} - 1 \right)^3} + 0.732 \right]} \right\}} \quad (7-1)$$

where (for bedding Type 4 per ASTM A 746 similar to first-class bedding)

P_v = trench load, earth plus live, N/m² (psi)

f = design maximum stress, 330 N/m² (48,000 psi)

D = outside diameter, mm (in.)

t = net pipe thickness, mm (in.)

K_b = bending moment coefficient, 0.157

K_x = deflection coefficient, 0.096

E = modulus of elasticity, 165,475 MPa
(24,000,000 psi)

E' = modulus of soil reaction, 3.5 MPa (500 psi)

$$P_v = \left(\frac{\Delta X/D}{12K_x} \right) \left(\frac{8E}{\left(\frac{D}{t_m} - 1 \right)^3} + 0.732 E' \right) \quad (7-2)$$

where

t_m = minimum manufacturing thickness,
 $t + 2$ mm, $t + 0.08$ in

$\Delta X/D$ = design deflection/diameter, 0.03 for con-
crete lined, 0.05 for asphaltic or plastic
lined

7-6. Joints

Use the materials referenced above for the type of joint used. The two available types are push-on and flanged. Joints can be restrained for thrust forces by using thrust blocks, restrained joints, or tie rods. Thrust restraint is required at tees, closed valves, reducers, dead ends, or wyes.

7-7. Camber

Where considerable foundation settlement is likely to occur, camber should be used to ensure positive drainage and to accommodate the extension of the pipe due to settlement.

Chapter 8 Pipe Jacking

8-1. General

Pipe jacking is a method of installing a pipe under roadways, railways, runways or highways without using an open cut trench. The pipe jacking procedure uses a casing pipe of steel or reinforced concrete that is jacked through the soil. Sizes range from 460 to 2,740 mm (18 to 108 in.). Maximum jacking loads are controlled by pumping bentonite or suitable lubricants around the outside of the pipe during the jacking operation. Typically, jacks are oversized so they can be operated at a lower pressure and maintain a reserve jacking capacity. It is common to use a 24-hour operation when pushing pipe, reducing the possibility that the pipe will freeze or "set" in the ground. Another common practice is to place 38-mm- (1.5-in.-) diameter grout plugs in each section of pipe up to 1,220-mm (48-in.) diameter and three plugs in each section of pipe over 1,370 mm (54 in.) in diameter. These plugs are used to pump lubricants around the outside of the pipe during the jacking operation and to pump grout around the outside of the pipe after the push is completed. Refer to Figure 8-1 for casing pipe details. In accordance with the intent of EM 1110-2-1913 and para 1-6.e., a drainage detail shall be provided that is adequate to prevent formation of excess seepage gradients and piping in the region of the landside toe of levees underlain by pipes installed by jacking or other "trenchless" methods. The detail may consist of buried drainage features with suitable filter, drainage collection and discharge elements, an inverted filter and weight berm above the toe of the levee and the pipe installation pit, or a combination of these.

8-2. Materials

a. Steel pipe. New and unused sections of steel pipe are used for the casing pipe. Steel casing pipe sections are then joined with full circumferential welds and pushed through the soil. Typical nominal wall thicknesses for steel casing pipe indicated in Table 8-1 should be coordinated with the appropriate highway or railroad authorities as necessary.

b. Concrete pipe. The minimum recommended compressive strength for jacked concrete pipe is 35 MPa (5,000 psi). Typical axial jacking loads for concrete pipe are shown in Table 8-2. Concrete pipe should have full circumferential reinforcement and supplemental joint

reinforcement when ASTM C 76M pipe is used. Provisions for intermediate jacking rings should be incorporated in the design when pushes are longer than 105 m (350 ft), and joints should be cushioned with plywood, manila rope, jute, or oakum. Pipe alignment for jacked pipe should be straight. Bell and spigots should be concentric with the pipe wall, and the outside wall should be straight walled with no bells.

8-3. Installation

a. Excavation. Pipe jacking operations require the excavation of a suitable jacking pit. Pits need to be shored because the side walls are normally cut vertical to conserve space. Pits should be large enough to accommodate the backstop, jacking equipment, spacer, muck removal equipment, and lubricant pump and lines. They should also have minimal walking room on each side of the jacking equipment. All equipment is normally centered along the center line of the casing pipe.

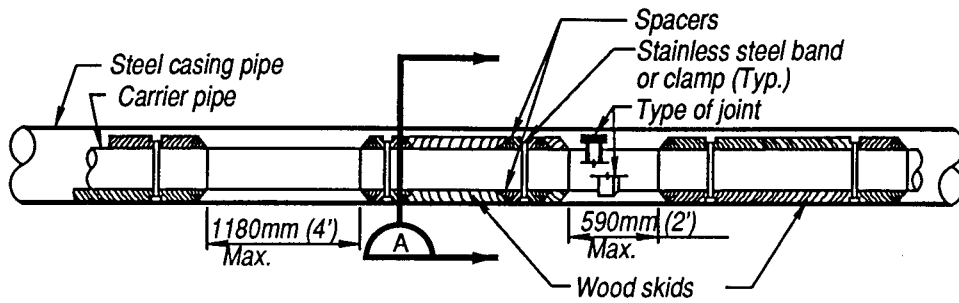
b. Backstop. The backstop is a rigid plate placed between the jack and the back wall of the pit that is used to distribute the jacking load into the ground. The load required to push the pipe through the ground depends on the method and lubricants used and equipment capacity. Small-diameter pipe can be jacked using a shoe on the front of the pipe. Large-diameter pipe can use an auger on the front of the pipe to cut the face material away and then push the muck through the pipe for removal. On pipe in nonrunning soils and that is large enough for workers to enter, hand excavation at the face of the pipe is possible.

c. Set. The casing pipe can "set" or freeze in the ground either when inadequate jacking force is available or when operation is stopped for a period of time. To prevent this set condition from occurring, the operation can use lubricants, oversized jacks, and a continuous operation.

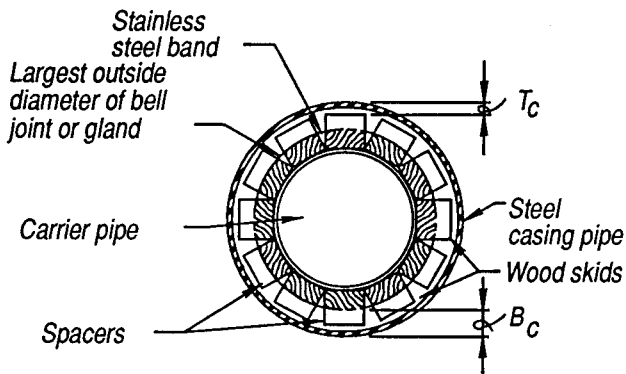
8-4. Loadings on Installed Pipe

a. Prism weight. The earth load on a jacked pipe is normally the prism weight of soil above the crown of the pipe. However, the full prism load does not occur unless the soil is saturated.

b. Cohesion of soil overburden. Cohesion of the overburden soil is used to reduce the earth load on the installed casing pipe as indicated by Equation 8-1. Typical values of cohesion are shown in Table 8-3.

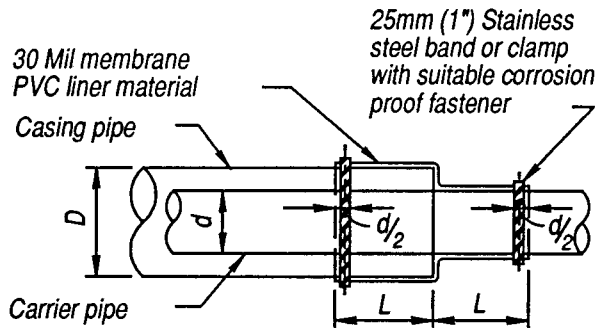


SKID DETAILS
NO SCALE



SECTION
NO SCALE

CLEARANCE DISTANCE		
Carrier pipe size	B _C	T _C
150mm (6") Or less	13mm (")	18-25mm ("-1")
200mm (8")	18mm (")	25-37mm (1"-1")
250mm (10")	18mm (")	25-37mm (1"-1")
300mm (12")	18mm (")	25-37mm (1"-1")
345mm (14")	25mm (1")	25-37mm (1"-1")
400mm (16")	25mm (1")	50-75mm (2"-3")



**END SEAL DETAIL
FOR CASING PIPE**
NO SCALE

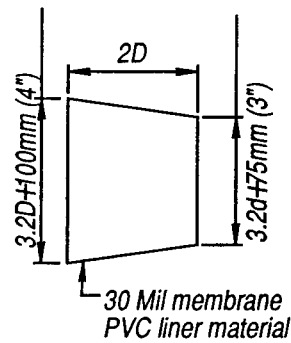


Figure 8-1. Casing pipe details

Table 8-1
Recommended Steel Pipe Nominal Wall Thicknesses

Nominal mm (in.)	Pipe OD		Railroad		Highway	
	Actual mm (in.)	Bare mm (in.)	Coated mm (in.)	Bare mm (in.)	Coated mm (in.)	
200 (8)	220 (8.625)	6 (0.250)	4.5 (0.188)	6 (0.250)	4.5 (0.188)	
250 (10)	270 (10.75)	6 (0.250)	4.5 (0.188)	6 (0.250)	4.5 (0.188)	
300 (12)	320 (12.75)	6 (0.250)	4.5 (0.188)	6 (0.250)	4.5 (0.188)	
350 (14)	350 (14)	7 (0.281)	5 (0.219)	6 (0.250)	5 (0.219)	
400 (16)	400 (16)	7 (0.281)	5 (0.219)	6 (0.250)	5 (0.219)	
460 (18)	460 (18)	8 (0.312)	6 (0.250)	6 (0.250)	6 (0.250)	
510 (20)	510 (20)	9 (0.344)	7 (0.281)	8 (0.312)	6 (0.250)	
610 (24)	610 (24)	10 (0.406)	9 (0.344)	8 (0.312)	6 (0.250)	
760 (30)	760 (30)	12 (0.469)	10 (0.406)	9 (0.375)	9 (0.375)	
910 (36)	910 (36)	13 (0.532)	12 (0.469)	13 (0.500)	11 (0.438)	
1070 (42)	1070 (42)	14 (0.563)	13 (0.500)	13 (0.500)	13 (0.500)	
1220 (48)	1220 (48)	16 (0.625)	14 (0.563)	16 (0.625)	14 (0.563)	
1370 (54)	1370 (54)	17 (0.688)	16 (0.625)	16 (0.625)	16 (0.625)	
1520 (60)	1520 (60)	19 (0.750)	17 (0.688)	16 (0.625)	16 (0.625)	
1680 (66)	1680 (66)	20 (0.813)	19 (0.750)	16 (0.625)	16 (0.625)	
1830 (72)	1830 (72)	22 (0.875)	20 (0.813)	19 (0.750)	19 (0.750)	

Note: Recommended minimum thicknesses are for a 1.4-m (4.5-ft) ground cover.

Table 8-2
Typical Pushing Requirements for Concrete Pipe

Pipe OD mm (in.)	Sandy Soil No Excavation at Face kN (tons)	Hard Soil Excavation at Face kN (tons)
50 (18)	8.90 (1.0)	3.56 (0.40)
610 (24)	12.45 (1.4)	4.63 (0.52)
760 (30)	17.79 (2.0)	6.76 (0.76)
910 (36)	17.79 (2.0)	6.76 (0.76)
1070 (42)	20.46 (2.3)	7.83 (0.88)
1220 (48)	24.02 (2.7)	8.90 (1.0)
1370 (54)	26.69 (3.0)	9.79 (1.1)
1520 (60)	29.36 (3.3)	10.68 (1.2)
1680 (66)	32.03 (3.6)	12.45 (1.4)
1830 (72)	34.69 (3.9)	13.34 (1.5)
1980 (78)	38.25 (4.3)	14.23 (1.6)
2130 (84)	40.92 (4.6)	15.12 (1.7)
2290 (90)	43.59 (4.9)	16.01 (1.8)
2440 (96)	46.26 (5.2)	16.90 (1.9)
2740 (108)	55.16 (6.2)	20.46 (2.3)

From: Horizontal Earth Boring and Pipe Jacking Manual No. 2,
National Utility Contractors Association, Arlington, VA.

Table 8-3
Cohesion of Various Soils

Material	Cohesion, N/m ² (psf)
Clay	
Soft	1,915 (40)
Medium	11,970 (250)
Hard	47,880 (1,000)
Sand	
Loose Dry	0 (0)
Silty	4,788 (100)
Dense	14,364 (300)
Topsoil	
Saturated	4,788 (100)

$$W_t = C_t w B_t^2 - 2 c C_t B_t \quad (8-1)$$

c. *Earth load.* Equation 8-2 is used to calculate the load the casing pipe needs to support. It includes the effects of cohesion in the overburden soil.

$$C_t = 1 - \frac{e^{-2 K\mu' \left(\frac{H}{B_t}\right)}}{2 K\mu'} \quad (8-2)$$

where

W_t = earth load under tunneled or jacked conditions,
N/m (lb/ft)

C_t = load coefficient for tunneled or jacked pipe

w = unit weight of soil, N/m³ (pcf)

B_t = maximum width of bore excavation, m (ft)

c = cohesion of soil above the excavation, N/m²
(psf) (Table 8-3)

$K\mu'$ = 0.165 (sand/gravel), 0.150 (saturated top
soil), 0.130 (clay), and 0.110 (saturated clay)

H = height of fill, m (ft)

Appendix A References

A-1. Required Publications

EM 1110-2-1603

Hydraulic Design of Spillways

EM 1110-2-1913

Design and Construction of Levees

EM 1110-2-2102

Waterstops and Other Joint Materials

EM 1110-2-2104

Strength Design for Reinforced-Concrete Hydraulic Structures

EM 1110-2-2400

Structural Design of Spillways and Outlet Works

EM 1110-2-2901

Tunnels and Shafts in Rock

Note: Specifications are grouped by issuing agency and then arranged in numerical order by specification designation.

American Association of State Highway & Transportation Officials (AASHTO) 1996

American Association of State Highway & Transportation Officials. 1996. *Standard Specifications for Highway Bridges*, Sixteenth Edition, Washington, DC.

American Association of State Highway & Transportation Officials (AASHTO)

American Association of State Highway & Transportation Officials, *M36/M36M, Standard Specification for Corrugated Steel Pipe, Metallic-Coated, for Sewers and Drains*, Washington, DC.

American Association of State Highway & Transportation Officials (AASHTO)

American Association of State Highway & Transportation Officials, *M170/M170M, Standard Specification for Reinforced Concrete Culvert, Storm Drain, and Sewer Pipe*, Washington, DC.

American Association of State Highway & Transportation Officials (AASHTO)

American Association of State Highway & Transportation Officials, *M190, Standard Specification for Bituminous*

Coated Corrugated Metal Culvert Pipe and Pipe Aches, Washington, DC.

American Association of State Highway & Transportation Officials (AASHTO)

American Association of State Highway & Transportation Officials, *M196/M196M, Standard Specification for Corrugated Aluminum Pipe for Sewers and Drains*, Washington, DC.

American Association of State Highway & Transportation Officials (AASHTO)

American Association of State Highway & Transportation Officials, *M206/M206M, Standard Specification for Reinforced Concrete Arch Culvert Storm Drain and Sewer Pipe*, Washington, DC.

American Association of State Highway & Transportation Officials (AASHTO)

American Association of State Highway & Transportation Officials, *M207/M207M, Standard Specification for Reinforced Concrete Elliptical Culvert, Storm Drain and Sewer Pipe*, Washington, DC.

American Association of State Highway & Transportation Officials (AASHTO)

American Association of State Highway & Transportation Officials, *M218, Standard Specification for Steel Sheet, Zinc-Coated (Galvanized) for Corrugated Steel Pipe*, Washington, DC.

American Association of State Highway & Transportation Officials (AASHTO)

American Association of State Highway & Transportation Officials, *M242/M242M, Standard Specification for Reinforced Concrete D-Load Culvert, Storm Drain, and Sewer Pipe*, Washington, DC.

American Association of State Highway & Transportation Officials (AASHTO)

American Association of State Highway & Transportation Officials, *M245/M245M, Interim Specification for Corrugated Steel Pipe, Polymer Precoated for Sewers and Drains*, Washington, DC.

American Association of State Highway & Transportation Officials (AASHTO)

American Association of State Highway & Transportation Officials, *M246/M246M, Standard specifications for Steel Sheet, Metallic-Coated and Polymer Precoated for Corrugated Steel Pipe*, Washington, DC.

American Association of State Highway & Transportation Officials (AASHTO)

American Association of State Highway & Transportation Officials, *M259/M259M, Standard Specification for Precast Reinforced Concrete Box Sections for Culverts, Storm Drains, and Sewers*, Washington, DC.

American Association of State Highway & Transportation Officials (AASHTO)

American Association of State Highway & Transportation Officials, *M273/M273M, Standard Specification for Precast Reinforced Concrete Box Sections for Culverts, Storm Drains, and Sewers with less than 2 ft (0.6 m) of Cover Subjected to Highway Loadings*, Washington, DC.

American Association of State Highway & Transportation Officials (AASHTO)

American Association of State Highway & Transportation Officials, *M274, Steel Sheet, Aluminum-Coated (Type 2) for Corrugated Steel Pipe*, Washington, DC.

American Association of State Highway & Transportation Officials (AASHTO)

American Association of State Highway & Transportation Officials, *M278/M278M, Standard Specification for Class PS 50 Polyvinyl Chloride (PVC) Pipe*, Washington, DC.

American Association of State Highway & Transportation Officials (AASHTO)

American Association of State Highway & Transportation Officials, *M294, Standard Specification for Corrugated Polyethylene Pipe 12 in. to 36 in. Diameter*, Washington, DC.

American Association of State Highway & Transportation Officials (AASHTO)

American Association of State Highway & Transportation Officials, *M304, Poly (Vinyl Chloride) (PVC) Profile Wall Drain Pipe and Fittings Based on Controlled Inside Diameter*, Washington, DC.

American Association of State Highway & Transportation Officials (AASHTO)

American Association of State Highway & Transportation Officials, *T99, Standard Method of Test for the Moisture-Density Relations of Soils Using a 5.5 lb (2.5 kg) Rammer and a 12 in. (305 mm) Drop*, Washington, DC.

American Concrete Institute

American Concrete Institute, *Building Code Requirements for Reinforced Concrete (ACI 318)*, Detroit, MI.

American Concrete Pipe Association 1992

American Concrete Pipe Association. 1992. *Concrete Pipe Design Manual*, Vienna, VA.

American Iron and Steel Institute 1993

American Iron and Steel Institute. 1993. *Handbook of Steel Drainage and Highway Construction Products*, Washington, DC.

American Iron and Steel Institute 1989

American Iron and Steel Institute. 1989. *Welded Steel Pipe--Steel Plate Engineering Data*, Volume 3, Washington, DC.

American Railway Engineering Association (AREA) 1996

American Railway Engineering Association (AREA). 1996. *AREA Manual*, Washington, DC.

American Society for Testing and Materials (ASTM)

American Society for Testing and Materials, *A307, Standard Specification for Carbon Steel Bolts and Studs, 60,000 Psi Tensile Strength*, Philadelphia, PA.

American Society for Testing and Materials (ASTM)

American Society for Testing and Materials, *A619/A619M, Standard Specification for Steel, Sheet, Carbon, Cold-Rolled, Drawing Quality*, Philadelphia, PA.

American Society for Testing and Materials (ASTM)

American Society for Testing and Materials, *A742/A742M, Standard Specification for Steel Sheet, Metallic Coated and Polymer Precoated for Corrugated Steel Pipe*, Philadelphia, PA.

American Society for Testing and Materials (ASTM)

American Society for Testing and Materials, *A746, Standard Specification for Ductile Iron Gravity Sewer Pipe*, Philadelphia, PA.

American Society for Testing and Materials (ASTM)

American Society for Testing and Materials, *A760/A760M, Standard Specification for Corrugated Steel Pipe, Metallic-Coated for Sewers and Drains*, Philadelphia, PA.

American Society for Testing and Materials (ASTM)

American Society for Testing and Materials, *A762/A762M, Standard Specification for Corrugated Steel Pipe, Polymer Precoated for Sewers and Drains*, Philadelphia, PA.

American Society for Testing and Materials (ASTM)

American Society for Testing and Materials, A796/
A796M *Standard Practice for Structural Design of Corrugated Steel Pipe, Pipe-Arches, and Arches for Storm and Sanitary Sewers and Other Buried Applications*, Philadelphia, PA.

American Society for Testing and Materials (ASTM)

American Society for Testing and Materials, A798, *Standard Practice for Installing Factory-Made Corrugated Steel Pipe for Sewers and Other Applications*, Philadelphia, PA.

*

American Society for Testing and Materials (ASTM)

American Society for Testing and Materials, A807, *Standard Practice for Installing Corrugated Steel Structural Plate Pipe for Sewers and Other Applications*, Philadelphia, PA.

*

American Society for Testing and Materials (ASTM)

American Society for Testing and Materials, A849/
A849M, *Standard Specification for Post Applied Coatings, Pavings, and Linings for Corrugated Steel Sewer and Drainage Pipe*, Philadelphia, PA.

American Society for Testing and Materials (ASTM)

American Society for Testing and Materials, A885/
A885M, *Standard Specification for Steel Sheet, Zinc and Aramid Fiber Composite Coated for Corrugated Steel Sewer, Culvert, and Underdrain Pipe*, Philadelphia, PA.

*

American Society for Testing and Materials (ASTM)

American Society for Testing and Materials, A929/
A929M, *Standard Specification for Steel Sheet, Metallic-Coated by the Hot-Dip Process for Corrugated Steel Pipe*, Philadelphia, PA.

American Society for Testing and Materials (ASTM)

American Society for Testing and Materials, B744/
B744M, *Standard Specification for Aluminum Alloy Sheet for Corrugated Aluminum Pipe*, Philadelphia, PA.

American Society for Testing and Materials (ASTM)

American Society for Testing and Materials, B745/
B745M, *Standard Specification for Corrugated Aluminum Pipe for Sewers and Drains*, Philadelphia, PA.

American Society for Testing and Materials (ASTM)

American Society for Testing and Materials, B788, *Standard Practice for Installing Factory-Made Corrugated Aluminum Culverts and Storm Sewer Pipe*, Philadelphia, PA.

American Society for Testing and Materials (ASTM)

American Society for Testing and Materials, B789, *Standard Practice for Installing Corrugated Aluminum Structural Plate Pipe for Culverts and Sewers*, Philadelphia, PA.

American Society for Testing and Materials (ASTM)

American Society for Testing and Materials, B790, *Standard Practice for Structural Design of Corrugated Aluminum Pipe, Pipe-Arches and Arches for Culverts, Storm Sewers, and Buried Conduits*, Philadelphia, PA.

American Society for Testing and Materials (ASTM)

American Society for Testing and Materials, C76/C76M, *Standard Specification for Reinforced Concrete Culvert, Storm Drain, and Sewer Pipe*, Philadelphia, PA.

American Society for Testing and Materials (ASTM)

American Society for Testing and Materials, C78/C78M, *Standard Test Method for Flexural Strength of Concrete (Using Simple Beam with triple-Point Loading)*, Philadelphia, PA.

American Society for Testing and Materials (ASTM)

American Society for Testing and Materials, C361/
C361M, *Standard Specification for Reinforced Concrete Low-Head Pressure Pipe*, Philadelphia, PA.

American Society for Testing and Materials (ASTM)

American Society for Testing and Materials, C443/
C443M, *Standard Specification for Joints for Circular Concrete Sewer and Culvert Pipe Using Rubber Gaskets*, Philadelphia, PA.

American Society for Testing and Materials (ASTM)

American Society for Testing and Materials, C497/
C497M, *Standard Test methods for Concrete Pipe, Manhole Sections, or Tile*, Philadelphia, PA.

*

American Society for Testing and Materials (ASTM)

American Society for Testing and Materials, C506/
C506M, *Standard Specification for Reinforced Concrete Arch Culvert, Storm Drain, and Sewer Pipe*, Philadelphia, PA.

American Society for Testing and Materials (ASTM)

American Society for Testing and Materials, C507/
C507M, *Standard Specification for Reinforced Concrete Elliptical Culvert, Storm Drain, and Sewer Pipe*, Philadelphia, PA.

American Society for Testing and Materials (ASTM)
American Society for Testing and Materials, C655/
C655M, *Standard Specification for Reinforced Concrete
D-Load Culvert, Storm Drain, and Sewer Pipe*, Philadel-
phia, PA.

American Society for Testing and Materials (ASTM)
American Society for Testing and Materials, C789/
C789M, *Standard Specification for Precast Reinforced
Concrete Box Sections for Culverts, Storm Drains, and
Sewers*, Philadelphia, PA.

American Society for Testing and Materials (ASTM)
American Society for Testing and Materials, C850/
C850M, *Standard Specification for Precast Reinforced
Concrete Box Sections for Culverts, Storm Drains, and
Sewers with less than 2 ft (0.6 m) of Cover subjected to
Highway Loadings*, Philadelphia, PA.

American Society for Testing and Materials (ASTM)
American Society for Testing and Materials, C857/
C857M, *Standard Practice for Minimum Structural Design
Loading for Underground Precast Concrete Utility Struc-
tures*, Philadelphia, PA.

American Society for Testing and Materials (ASTM)
American Society for Testing and Materials, C877/
C877M, *Standard Specification for External Sealing Bands
for Noncircular Concrete Sewer, Storm Drain, and Culvert
Pipe*, Philadelphia, PA.

American Society for Testing and Materials (ASTM)
American Society for Testing and Materials, C900, *Stan-
dard Test Method for Pullout Strength of Hardened Con-
crete*, Philadelphia, PA.

American Society for Testing and Materials (ASTM)
American Society for Testing and Materials, C924/
C924M, *Standard Practice for Testing Concrete Pipe
Sewer Lines by Low-Pressure Air Test Method*, Philadel-
phia, PA.

American Society for Testing and Materials (ASTM)
American Society for Testing and Materials, C969/
C969M, *Standard Practice for Infiltration and Exfiltration
Acceptance Testing of Installed Precast Concrete Pipe
Sewer Lines*, Philadelphia, PA.

American Society for Testing and Materials (ASTM)
American Society for Testing and Materials, C1103/
C1103M, *Standard Practice for Joint Acceptance Testing
of Installed Precast Concrete Pipe sewer Lines*, Philadel-
phia, PA.

American Society for Testing and Materials (ASTM)
American Society for Testing and Materials, C1214/
C1214M, *Testing Concrete Pipe Sewerlines by Negative
Air Pressure*, Philadelphia, PA.

American Society for Testing and Materials (ASTM)
American Society for Testing and Materials, D698, *Test
Method for Laboratory Compaction Characteristics of
Soil Using Standard Effort (12,000 ft-lbf/ft³) (600 kN-
m/m³)*, Philadelphia, PA.

American Society for Testing and Materials (ASTM)
American Society for Testing and Materials, D1056,
*Standard Specification for Flexible Cellular Materials -
Sponge or Expanded Rubber*, Philadelphia, PA.

American Society for Testing and Materials (ASTM)
American Society for Testing and Materials, D1754,
*Standard Test Method for Effect of Heat and Air on
Asphaltic Materials*, Philadelphia, PA.

American Society for Testing and Materials (ASTM)
American Society for Testing and Materials, D1784,
*Standard Specification for Rigid Poly(Vinyl) Chloride
(PVC) Compounds and Chlorinated Poly(Vinyl Chloride)
CPVC) Compounds*, Philadelphia, PA.

American Society for Testing and Materials (ASTM)
American Society for Testing and Materials, D2262,
*Standard Test Method for Tearing Strength of Woven
Fabrics by the Tongue (Single Rip) Method (Constant Rate
of Traverse Tensile Testing Machine)*, Philadelphia, PA.

American Society for Testing and Materials (ASTM)
American Society for Testing and Materials, D2321,
*Standard Practice for Underground Installation of Ther-
moplastic Pipe for Sewers and Other Gravity-Flow Appli-
cation*, Philadelphia, PA.

American Society for Testing and Materials (ASTM)
American Society for Testing and Materials, D2412,
*Standard Test Method for Determination of External
Loading Characteristics of Plastic Pipe by Parallel-Plate
Loading*, Philadelphia, PA.

American Society for Testing and Materials (ASTM)
American Society for Testing and Materials, D2487-93,
*Standard Classification of Soils for Engineering Purposes
(Unified Soil Classification System)*, Philadelphia, PA.

*

American Society for Testing and Materials (ASTM)
American Society for Testing and Materials, *D2680, Standard Specification for Acrylonitrile-Butadiene-Styrene (ABS) and Poly(Vinyl Chloride) (PVC) Composite Sewer Piping*, Philadelphia, PA.

American Society for Testing and Materials (ASTM)
American Society for Testing and Materials, *D3034, Standard Specification for Type PSM Poly(Vinyl Chloride) (PVC) Sewer Pipe and Fittings*, Philadelphia, PA.

American Society for Testing and Materials (ASTM)
American Society for Testing and Materials, *D3212, Standard Specification for Joint for Drain and Sewer Plastic Pipes Using Flexible Elastomeric Seals*, Philadelphia, PA.

American Society for Testing and Materials (ASTM)
American Society for Testing and Materials, *D3262, Standard Specification for 'Fiberglass' (Glass-Fiber-Reinforced Thermosetting Resin) Sewer Pipe*, Philadelphia, PA.

American Society for Testing and Materials (ASTM)
American Society for Testing and Materials, *D3350, Standard Specification for Polyethylene Plastics Pipe and Fittings Materials*, Philadelphia, PA.

American Society for Testing and Materials (ASTM)
American Society for Testing and Materials, *D3550, Standard Practice for Ring-Lines Barrel Sampling of Soils*, Philadelphia, PA.

American Society for Testing and Materials (ASTM)
American Society for Testing and Materials, *D3839, Standard Practice for Underground Installation of 'Fiberglass' (Glass Fiber Reinforced Thermosetting Resin) Pipe*, Philadelphia, PA.

American Society for Testing and Materials (ASTM)
American Society for Testing and Materials, *D3919, Standard Practice for Measuring Trace Elements in Water by Graphite Furnace Atomic Absorption Spectrophotometry*, Philadelphia, PA.

American Society for Testing and Materials (ASTM)
American Society for Testing and Materials, *D4253, Standard Test Method for Maximum Index Density and Unit Weight of Soils Using a Vibratory Table*, Philadelphia, PA.

American Society for Testing and Materials (ASTM)
American Society for Testing and Materials, *D4254, Standard Test Method for Minimum Index Density and Unit Weight of Soils and Calculation of Relative Density*, Philadelphia, PA.

American Society for Testing and Materials (ASTM)
American Society for Testing and Materials, *D4161, Standard Specification for 'Fiberglass' (Glass Fiber-Reinforced Thermosetting Resin) Pipe Joints Using Flexible Elastomeric Seals*, Philadelphia, PA.

American Society for Testing and Materials (ASTM)
American Society for Testing and Materials, *F667, Large Diameter Corrugated Polyethylene Tubing and Fittings*, Philadelphia, PA.

American Society for Testing and Materials (ASTM)
American Society for Testing and Materials, *F679, Standard Specification for Poly(Vinyl Chloride) (PVC) Large-Diameter Plastic Gravity Sewer Pipe and Fittings*, Philadelphia, PA.

American Society for Testing and Materials (ASTM)
American Society for Testing and Materials, *F714, Standard Specification for Polyethylene (PE) Plastic Pipe (SDR-PR) Based on Outside Diameter*, Philadelphia, PA.

American Society for Testing and Materials (ASTM)
American Society for Testing and Materials, *F794, Standard Specification for Poly(Vinyl Chloride) (PVC) Profile Gravity Sewer Pipe and Fittings Based on Controlled Inside Diameter*, Philadelphia, PA.

American Society for Testing and Materials (ASTM)
American Society for Testing and Materials, *F894, Standard Specification for Polyethylene (PE) Large Diameter Profile Wall Sewer and Drain Pipe*, Philadelphia, PA.

American Society for Testing and Materials (ASTM)
American Society for Testing and Materials, *F949, Standard Specification for Poly(Vinyl Chloride) (PVC) Corrugate Sewer Pipe with a Smooth Interior and Fittings*, Philadelphia, PA.

American Water Works Association 1985
American Water Works Association. 1985. *AWWA M11, Steel Pipe--A Guide for Design and Installation*, Denver, CO.

*

EM 1110-2-2902
31 Oct 97

*

American Water Works Association 1989

American Water Works Association. 1989. AWWA C 300, *Standard for Reinforced Concrete Pressure Pipe, Steel Cylinder Type, for Water and Other Liquids*, Denver, CO.

American Water Works Association 1992

American Water Works Association. 1992. AWWA C 301, *Standard for Prestressed Concrete Pressure Pipe, Steel Cylinder Type, for Water and Other Liquids*, Denver, CO.

American Water Works Association 1987

American Water Works Association. 1987. AWWA C 302, *Standard for Reinforced Concrete Pressure Pipe, Noncylinder Type, for Water and Other Liquids*, Denver, CO.

American Water Works Association 1992

American Water Works Association. 1992. AWWA C 304, *Design of Prestressed Concrete Cylinder Pipe*, Denver, CO.

American Water Works Association

American Water Works Association. AWWA C 950, *Standard for Glass Fiber Reinforced Thermosetting Resin Pressure Pipe*, Denver, CO.

American Water Works Association

American Water Works Association, C110/A21.10, *American National Standard for Ductile-Iron and Grey-Iron Fittings 3 in. through 48 in. (75 mm through 1200 mm), for Water and Other Liquids*, Denver, CO, 80235

American Water Works Association

American Water Works Association, C115/A21.15, *American National Standard for Flanged Ductile-Iron Pipe with Threaded Flanges*, Denver, CO, 80235

American Water Works Association

American Water Works Association, C150/A21.50, *American National Standard for the Thickness Design of Ductile Iron Pipe*, Denver, CO.

A-2. Related Publications

EM 1110-2-2105

Design of Hydraulic Steel Structures

EM 1110-2-3104

Structural and Architectural Design of Pump Stations

Abbett 1956

Abbett, Robert W., ed. 1956. *American Civil Engineering Practice*, Vol II, Wiley, New York, NY, pp 18-64 and 19-08.

American Concrete Pipe Association 1988

American Concrete Pipe Association. 1988. *Concrete Pipe Handbook*, Vienna, VA.

American Concrete Pipe Association 1993

American Concrete Pipe Association. 1993. *Concrete Technology Handbook*, Vienna, VA.

American Society of Civil Engineers (ASCE) 1975

American Society for Civil Engineers (ASCE). 1975. *Pipeline Design for Hydrocarbon Gases and Liquids*, New York, NY.

American Society of Civil Engineers (ASCE) 1984

American Society for Civil Engineers (ASCE). 1984. *Pipeline Materials and Design*, New York, NY.

American Society of Civil Engineers (ASCE) 1990

American Society for Civil Engineers (ASCE). 1990. *Pipeline Design and Installation*, New York, NY.

American Society of Civil Engineers (ASCE) 1992

American Society for Civil Engineers (ASCE). 1992. *Standard Practice for Direct Design of Buried Concrete Pipe Using Standard Installations*, New York, NY.

American Society of Civil Engineers (ASCE) 1993

American Society for Civil Engineers (ASCE). 1993. *Steel Penstocks, ASCE Manual Report on Engineering Practice*, No. 79, New York, NY.

Civil Engineering Research Foundation 1992

Civil Engineering Research Foundation. 1992. "Current State of Life Cycle Design for Local Protection Structures, A Literature Search," Washington, DC.

Howard 1977

Howard, Amster K. 1977. Modulus of Soil Reaction (E') Values for Buried Flexible Pipe, *Journal of the Geotechnical Engineering Division*, American Society of Civil Engineers, Vol 103(GT), Proceedings Paper 12700.

Krynine 1938

Krynine, D. P. 1938. Pressures Beneath a Spread Foundation, *Transactions*, American Society of Civil Engineers (ASCE), New York, NY.

*

Leonards 1962

Leonards, G. A., ed. 1962. *Foundation Engineering*, McGraw-Hill, New York, NY.

Metcalf and Eddy 1928

Metcalf, L. and Eddy, H. P. 1928. *American Sewerage Practice*, Vol I, Second Edition, McGraw-Hill, New York, NY.

National Utility Contractors Association

National Utility Contractors Association. *Horizontal Earth Boring and Pipe Jacking Manual No. 2*, Arlington, VA.

Newmark 1942

Newmark, Nathan M. 1942. *Influence Charts for Computation of Stresses in Elastic Foundations*. University of Illinois Bulletin Series, No. 338, Urbana, IL.

Portland Cement Association 1975

Portland Cement Association. 1975. *Concrete Culverts and Conduits*, Skokie, IL.

Roark 1989

Roark, R. J. 1989. *Formulas for Stress and Strain*, McGraw-Hill, New York, NY.

Rowe 1957

Rowe, R. R. 1957. Rigid Culverts Under High Overfills, *Transactions*, American Society of Civil Engineers (ASCE), New York, NY.

Spangler 1948

Spangler, M. G. 1948. Underground Conduits--An Appraisal of Modern Research, *Transactions*, American Society of Civil Engineers (ASCE), New York, NY, p 316.

Szechy 1973

Szechy, K. 1973. *The Art of Tunneling*, Hungarian Academy of Sciences, Budapest, Hungary.

Water Pollution Control Federation 1974

Water Pollution Control Federation. 1974. *Design and Construction of Sanitary and Storm Sewers, Manual of Practice*, No. 9. (American Society of Civil Engineers (ASCE) *Manual of Engineering Practice*, No. 37.), New York, NY.

*

Appendix B Design Examples

Design examples for conduits, culverts, and pipes are presented in this appendix. Each equation in this manual is used in the order presented in its chapter. Once a variable is defined, that value is used throughout the remaining calculations. The design method for corrugated

metal pipe from ASTM A 796 is included for Chapter 4. This method also applies to corrugated aluminum pipe using the ASTM B 790 method of design.

At the end of this appendix is a demonstration of a finite element method computer code used to analyze concrete rectangular and oblong shapes.

Chapter 2: Cast-in-Place Conduits for Dams

Prism Loads

Unit Weight of Soil, Water, and Saturated Soil

$$\gamma_s = 21,210 \text{ N/m}^3 \text{ (135 pcf) - Saturated soil}$$

$$\gamma_d = 18,850 \text{ N/m}^3 \text{ (120 pcf) - Dry soil}$$

$$\gamma_w = 9,800 \text{ N/m}^3 \text{ (62.5 pcf) - Water}$$

Height of Soil, Water and Saturated Soil above the Crown of the Conduit.

$$H_d = 2.44 \text{ m (8 ft) - Dry soil column}$$

$$H_w = 15.24 \text{ m (50 ft) - Water column}$$

$$H_s = 6.10 \text{ m (20 ft) - Saturated column}$$

Vertical Pressures

Vertical pressures for the given soil condition; dry soil, dry and saturated soil, or reservoir condition (saturated soil under water).

$$W_{w1} = \gamma_d \cdot H_d \quad \text{N/m}^2 \text{ (psf)} \quad (2-1) \text{ Dry}$$

or

$$W_{w2} = \gamma_d \cdot H_d + \gamma_s \cdot H_s \quad \text{N/m}^2 \text{ (psf)} \quad (2-1) \text{ Dry and saturated}$$

or

$$W_{w3} = \gamma_w \cdot H_w + (\gamma_s - \gamma_w) \cdot H_s \quad \text{N/m}^2 \text{ (psf)} \quad (2-1) \text{ Reservoir}$$

$$W_{w1} = 45,994 \text{ N/m}^2 \text{ (960 psf)}$$

$$W_{w2} = 1,753,754 \text{ N/m}^2 \text{ (3,660 psf)}$$

$$W_{w3} = 218,953 \text{ N/m}^2 \text{ (4,572 psf)}$$

Internal Water Pressure

$$H_G = 36.6 \text{ m (120 ft) - Hydraulic gradient}$$

$r + 1.22 \text{ m (4 ft)}$ - Internal radius of conduit (+ or -) depending on the position of interest - top or bottom of the conduit

$$w_i = \gamma_w \cdot (H_g + r) \text{ N/m}^2 \text{ (psf)}$$

$$w_i = 370,636 \text{ N/m}^2 \text{ (7,738 psf)}$$

Concentrated Live Loads

Vertical Pressure

$$P = 44,480 \text{ N (10,000 lb)}$$

$$y = 0.305 \text{ m (1 ft) - Y - Cartesian coordinate}$$

$$z = 0.610 \text{ m (2 ft) - Z - Cartesian coordinate}$$

$$x = 0.915 \text{ m (3 ft) - X - Cartesian coordinate}$$

$$R = \sqrt{x^2 + z^2 + y^2} \text{ m (ft) - Radial distance from point load}$$

$$R = 1.141 \text{ m (3.742 ft)}$$

$$W_c = \frac{3 \cdot P \cdot z^3}{2 \cdot \pi \cdot R^5} \text{ N/m}^2 \text{ (psf) - Vertical pressure from a concentrated load} \quad (2-3)$$

$$w_c = 2,490 \text{ N/m}^2 \text{ (52 psf)}$$

Horizontal Pressure

$$r = 0.610 \text{ m (2 ft) - Surface radius from point load}$$

$$\mu = 0.3 \text{ Poisson's ratio: } 0.5 \text{ for saturated cohesive soils, } 0.2 \text{ to } 0.3 \text{ for other soils}$$

$$p_c = \frac{P}{2 \cdot \pi} \cdot \left[\frac{3 \cdot r^2 \cdot z}{R^5} - \frac{(1 - 2 \cdot \mu)}{(R + z) \cdot R} \right] \text{ Nsm (psf)} \quad (2-4)$$

$$p_c = 1,074 \text{ N/m}^2 \text{ (23 psf)}$$

Trench Backfill Loads

Trench with No Superimposed Fill, Condition I

Vertical Trench Load	Values for $K_{\mu'}$ and g are		
$K_{\mu'} = 0.15$	Granular w/o cohesion $K_{\mu'} = 0.1924$, $g = 15,700 \text{ N/m}^3$ (100 pcf)		
$H = 2.44 \text{ m (8 ft)}$	Sand and gravel	18,850 (120)	0.165
	Saturated topsoil	17,280 (110)	150
	Ordinary clay	15,710 (100)	0.130
$B_d = 1.52 \text{ m (5 ft)}$	Saturated clay	20,420 (130)	0.110
	Maximum design load	22,000 (140)	0.110

$$C_d = \frac{1 - \exp\left[-2 \cdot K_{\mu'} \cdot \left(\frac{H}{B_d}\right)\right]}{2 \cdot K_{\mu'}} \quad \text{Trench coefficient} \quad (2-7)$$

$c_d = 1.274$ Dimensionless

$B_c = 1.22$ m (4 ft)

$$W_{e1} = C_d \cdot \gamma_d \cdot B_d^2 \quad \text{N/m (lbf/ft)} \quad (2-5)$$

or

$$W_{e2} = \gamma_d \cdot B_c \cdot H \quad \text{N/m (lbf/ft)} \quad (2-6)$$

$W_{e1} = 55,483$ N/m (3,812 lbf/ft)

$W_{e2} = 56,113$ N/m (3,840 lbf/ft)

Horizontal Trench Pressure

$\phi = 30^\circ$ = Internal friction angle in degrees

$H = 6.1$ m (20 ft)

$\gamma_d = 18,850$ N/m³ (120 pcf) for dry soil

$$P_{e2} = \gamma_d \cdot H \cdot \left[\tan^2 \left(45^\circ - \frac{\phi}{2} \right) \right]^2 \quad \text{N/m}^2 \text{ (psf)} \quad (2-8)$$

$p_{e2} = 38,828$ N/m² (800 psf)

Trench with Superimposed Fill, Condition II

Vertical Trench Load

$H_f = 3$ m (10 ft) - Height of superimposed fill above the top of the trench

$H_h = 1.5$ m (5 ft) - Height of effective fill in trench

$H_p = 1.2$ m (4 ft) - Height of projected conduit above the natural ground

$$W_{w3} = C_d \cdot \gamma_d \cdot B_d^2 + \left(\frac{H_f}{H_c + H_p} \right) \cdot \left(1.5 \cdot \gamma_d \cdot B_c \cdot H_h - C_d \cdot \gamma_d \cdot B_d^2 \right) \quad \text{N/m (lbf/ft)} \quad (2-9)$$

or

$$W_{e4} = \gamma_d \cdot B_c \cdot H_h + \left(\frac{H_f}{H_c + H_p} \right) \cdot \left(1.5 \cdot \gamma_d \cdot B_c \cdot H_h - \gamma_d \cdot B_c \cdot H_h \right) \quad \text{N/m (lbf/ft)} \quad (2-10)$$

$$W_{e3} = 53,946 \text{ N/m (3,724 lbf/ft)}$$

$$W_{e4} = 41,584 \text{ N/m (2,900 lbf/ft)}$$

Horizontal Trench Pressure

$$P_{e3} = \gamma \cdot H_h \cdot \left[\tan^2 \left(45 \cdot \text{deg} - \frac{\phi}{2} \right) \right] + \left(\frac{H_f}{H_c + H_p} \right) \cdot \left\{ 0.5 \cdot \gamma \cdot H_h - \gamma \cdot H_h \cdot \left[\tan^2 \left(45 \cdot \text{deg} - \frac{\phi}{2} \right) \right] \right\} \quad (2-11)$$

$$P_{e3} = 11,362 \text{ N/m (242 lbf/ft)}$$

Embankment Condition III

Vertical Loads in N/m (lbf/ft) using $\gamma_d = 18,850 \text{ N/m}^3$ (120 pcf) dry soil:

$$\text{Case 1: } W_{e5} = 1.5 \cdot \gamma_d \cdot B_c \cdot H_c \quad (2-12)$$

$$\text{Case 2: } W_{e6} = \gamma_d \cdot B_c \cdot H_c \quad (2-13)$$

Vertical Loads in N/m^2 (psf)

$$\text{Case 1: } W_{e7} = 1.5 \cdot \gamma_d \cdot H_c \quad (2-14)$$

$$\text{Case 2: } W_{e8} = \gamma_d \cdot H_c \quad (2-15)$$

$$W_{e5} = 210,423 \text{ N/m (14,400 lbf/ft)}$$

$$W_{e6} = 140,282 \text{ N/m (9,600 lbf/ft)}$$

$$W_{e7} = 172,478 \text{ N/m}^2 \text{ (3,600 psf)}$$

$$W_{e8} = 114,985 \text{ N/m}^2 \text{ (2,400 psf)}$$

Horizontal Loads in N/m^2 (psf)

$$\text{Case 1: } p_{e4} = 0.5 \cdot \gamma_d \cdot H_c \text{ N/m}^2 \text{ (psf)} \quad (2-16)$$

$$\text{Case 2: } p_{e5} = \gamma_d \cdot H_c \text{ N/m}^2 \text{ (1,200 psf)} \quad (2-17)$$

$$p_{e4} = 57,493 \text{ N/m}^2 \text{ (1,200 psf)}$$

$$p_{e5} = 114,985 \text{ N/m}^2 \text{ (2,400 psf)}$$

Notes on Loading Conditions for Embankments

Case 1: $p_e/w_e = 0.3$ and $k_a = 0.50$

Case 2: $p_e/w_e = 1.00$ and $k_a = 1.00$

Chapter 3: Circular Precast Concrete Pipe for Small Dams and Major Levees

D-Load Analysis

Load Factor for Trench Condition

Bedding Type	Load Factor
Ordinary	1.5
First Class	1.9
Concrete Cradle	2.5

Load Factors for Embankment Condition

Projection Ratio ρ	Concrete Cradle X_a	Other Projection Bedding X_a
0.0	0.150	0.000
0.3	0.743	0.217
0.5	0.856	0.423
0.7	0.811	0.594
0.9	0.678	0.655
1.0	0.638	0.638

Type of Bedding X_p	
Impermissible	1.310
Ordinary	0.840
First Class	0.707
Concrete Cradle	0.505

$$X_a = 0.811$$

$$X_p = 0.505$$

$$B_f = \frac{1.431}{X_p - \left(\frac{X_a}{3}\right)} \quad (3-1)$$

ASTM C76 Class and $D_{0.01}$

	Class	$D_{0.01}$
$B_f = 6.098$		
$W_1 = 145,940 \text{ N/m (10,000 plf)}$	I	40 (800)
$W_e = 175,130 \text{ N/m (12,000 plf)}$	II	50 (1,000)
$H_f = 1.3 \text{ Factor of Safety}$	III	65 (1,350)
	IV	100 (2,000)
$S_i = 1,200 \text{ mm (4 ft)}$	V	140 (3,000)

*

*

$$D_{\text{reqd}} = \frac{W_{\omega}}{B_{\omega}} \cdot \frac{H_{\omega}}{S_x} = \frac{W_{\omega} (H_{\omega})}{B_{\omega} (S_x)} \quad (3-2)$$

*

$D_{0.01} = 57 \text{ N/m/mm (1,172 plf/ft) ASTM C76M Class III}$

Chapter 4: Corrugated Metal Pipe for Rural Levees

Design in accordance with ASTM A 796 or ASTM B 790

Earth Load (EL)

$$H = 3 \text{ m (10 ft)}$$

$$w = 18,850 \text{ N/m}^2 \text{ (120 pcf)}$$

$$EL = H \cdot w \text{ N/m}^2 \text{ (psf)}$$

$$EL = 56,550 \text{ N/m}^2 \text{ (1,220 psf)}$$

Live Load (LL)

Live Loads Under Highways and Railroads

<u>Height of Cover, m (ft)</u>	<u>Highway, N/m² (psf)</u>	<u>Railroad, N/m² (psf)</u>
0.3 (1)	86,180 (1,800)	
0.6 (2)	38,300 (800)	181,940 (3,800)
0.9 (3)	28,730 (600)	
1.2 (4)	19,150 (400)	
1.5 (5)	11,970 (250)	114,910 (2,400)
1.8 (6)	9,580 (200)	
2.1 (7)	8,380 (175)	
2.4 (8)	4,790 (100)	76,610 (1,600)
3.0 (10)		52,670 (1,100)
3.7 (12)		38,300 (800)
4.6 (15)		28,730 (600)
6.1 (20)		14,360 (300)
9.1 (30)		4,790 (100)

$LL = 38,200 \text{ N/m}^2 \text{ (800 psf)}$ - Live load includes impact

$$P = EL + LL \text{ N/m}^2 \text{ (psf)}$$

$P = 94,850 \text{ N/m}^2 \text{ (2,000 psf)}$ - Total load on conduit

Required Wall Area

$S = 1.2$ m (4 ft) - Span of conduit

$$T = \frac{(P \cdot S)}{2} \text{ Thrust per length of conduit}$$

$T = 56,910$ N/m (4,000 lbf/ft) - Thrust per length of conduit

$SF = 2$ Factor of Safety

$f_y = 227,530,000$ N/m² (33,000 psi) - Steel yield strength

$$A = \frac{T \cdot SF}{f_y} \cdot 1000 \text{ mm}^2/\text{mm} \text{ (in.}^2/\text{ft) Required area of wall}$$

$A = 0.5002$ mm²/mm (0.2424 in.²/ft) - Required area of wall

Critical Buckling Stress

$k = 0.22$ Soil stiffness factor for granular side fill material

$E = 2 \cdot 10^{11}$ N/m² (29,000,000 psi) Modulus of elasticity of steel

$f_u = 3.10 \cdot 10^8$ N/m² (45,000 psi) Ultimate strength of metal

$r = 4.3713$ mm (0.1721 in.) Radius of gyration (from ASTM)

$s = 1,220$ mm (48 in.) Conduit span

$$f_{c1} = f_u - \frac{f_u^2}{48 \cdot E} \cdot \left(\frac{k \cdot s}{r} \right)^2 \text{ Buckling strength of conduit wall}$$

or

$$f_{c2} = \frac{12 \cdot E}{\left(\frac{K \cdot s}{r} \right)^2}$$

$$f_c = \text{if } \left(s < \frac{r}{k} \cdot \sqrt{\frac{24 \cdot E}{f_u} \cdot f_{c1} \cdot f_{c2}} \right)$$

$f_c = 2.72 \cdot 10^8$ N/m² (39,523 psi) - This value is greater than the yield strength of the material; therefore, the wall area calculated is adequate. If this value were less than the yield strength then the wall area would need to be recalculated with the lesser value.

Required Seam Strength

$SF_s = 3$ Safety factor for seams

$SS = T \cdot SF_s$ Required seam strength in N/m (lbf/ft)

$SS = 170,730 \text{ N/m}^2$ (12,000 lbf/ft) - Check values with tables in ASTM A 796 or ASTM B 790

Handling and Installation Strength

$I = 39,198 \text{ mm}^4/\text{mm}$ (2.392 in.⁴/ft) - Moment in Inertia of the section selected from the ASTM

$$FF = \frac{S^2}{E \cdot I} \cdot 1,000,000 \text{ mm/N} \text{ (} FF/10^6 \text{ in./lb)}$$

$FF = 0.00019 \text{ mm/N}$ (0.00003 in./lbf) - Flexibility factor shall not exceed the value in the ASTM

Flexibility Factors

<u>Depth of Corrugation, mm (in.)</u>	Trench	Embankment
	<u>FF, mm/N (in./lb)</u>	<u>FF, mm/N (in./lb)</u>
6 (1/4)	0.255 (0.043)	0.255 (0.043)
13 (1/2)	0.343 (0.060)	0.255 (0.043)
25 (1)	0.343 (0.060)	0.188 (0.033)
50 (2 (round pipe))	0.114 (0.020)	0.114 (0.020)
50 (2 (arch))		0.171 (0.030)
140 (5-1/2 (round))	0.114 (0.020)	0.114 (0.020)
140 (5-1/2 (arch))		0.171 (0.030)

Minimum Cover Design

$d = 13 \text{ mm}$ (1/2 in.) - Depth of corrugations

$A_L = 142,340 \text{ N}$ (32,000 lb) - Maximum highway axle load

Highway Loadings

<u>Class</u>	<u>Maximum Axle Load, N (lb)</u>
H 20	142,340 (32,000)
HS 20	142,340 (32,000)
H 15	106,760 (24,000)
HS 15	106,760 (24,000)

$$H_{\min} = \text{if} \left[0.23 < \sqrt{\frac{A_L \cdot d}{E \cdot I}} \cdot \frac{S}{8} \text{ if} \left(0.45 > \sqrt{\frac{A_L \cdot d}{E \cdot I}} \cdot \frac{S}{4}, 0.55 \cdot S \cdot \sqrt{\frac{A_L \cdot d}{E \cdot I}} \right) \right]$$

$H_{\min} = 0.3$ m (1 ft) - minimum cover for highway loads and is never less than 0.3 m (1 ft)

Check the requirements for railroad and aircraft loads.

Pipe-Arch Bearing Design

Maximum height of fill over arch pipe assuming 191,520 N/m² (2 tsf) bearing capacity for the soil

$r_c = 0.46$ m (1.5 ft) - corner radius of pipe-arch

$$H_{\max} = \frac{66.7 \cdot r_c}{S} \cdot 0.3048 \text{ m } (H_{\max}/0.3048 = \text{ft}) \text{ Maximum cover}$$

$H_{\max} = 7.79$ m (25 ft)

Chapter 5: Culverts

Use the same design procedure as developed in Chapter 3 for precast pipe. Use the bedding load factors as defined in American Concrete Pipe Association Concrete Pipe Design Manual (1992).

Circular Concrete Culvert, Class B Bedding, Embankment Condition

$$B_f = \frac{C_A}{C_N - xq} \quad (5-1)$$

$$C_A = 1.431$$

$$C_N = 0.707$$

$$x = 0.594$$

$$A = 0.33$$

$$P = 0.7$$

$$C_c = 3$$

$$H = 8$$

$$B_c = 4 \text{ ft}$$

$$E = 0.50$$

$$q = \frac{AP}{C_c} \left(\frac{H}{B_c} + EP \right) \leq 0.33$$

$$q = \frac{0.33(0.7)}{3} (2 + 0.5(0.7)) = 0.181 \geq 0.33 \quad (5-2)$$

Bedding factor B_f

$$B_f = \frac{1.431}{[0.707 - 0.594 (0.181)]} = 2.387$$

$D_{0.01}$ Calculation

$$D_{0.01} = \frac{W_T H_f}{S_i B_f}$$

$$S_i = B_c = 4 \text{ ft}$$

$$H_f = 1.0$$

$$B_f = 2.387$$

$$W_T = 1.5 \gamma B_c H_h; \quad \gamma = 120 \text{ pcf}$$

$$H_h = 8 + \frac{4}{2} = 10 \text{ ft}$$

$$W_T = 1.5(120)(4)(10) = 7200 \text{ lbf/ft}$$

$$D_{0.01} = \frac{7200 (1)}{4 (2.387)} = 754 \frac{\text{lb}}{\text{ft/ft}}$$

Use Class I, C76 Pipe

Chapter 6: Plastic Pipe for Other Applications

Pipe Stiffness

$D = 0.250$ m (10 in.) - Pipe diameter

$R = \frac{D}{2}$ $R = 0.125$ m (5 in.) - Pipe radius

$t = 8$ mm (0.134 5 in.) - Wall thickness

$E_p = 3.03 \cdot 10^9$ N/m² (440,000 psi) - Initial modulus of elasticity (plastic)

$I = \frac{t^3}{12} \cdot 10^{-9}$ m⁴/m (in.⁴/in.) Moment of inertia

$I = 4.27 \cdot 10^{-8}$ m⁴/m (0.0026 in.⁴/in.)

$$FF = \frac{D^2}{E \cdot I} * 1000 < = 0.542 \text{ m/N (95 in./lb)} \quad (6-1)$$

$FF = 0.4834$ m/N (85 in.lb)

$$PS = \frac{E \cdot I}{0.149 \cdot R^3} > = 98,946/D \text{ N/m/m (565/D lb/in./in.)} \quad (6-2)$$

$$PS = 444,237 \geq \frac{98,946}{D} = 395,784 \text{ OK}$$

Deflection

$D_L = 2.5$ Deflection lag factor for long-term prediction

$K = 0.11$ Bedding constant

$E' = 6.89 \cdot 10^6$ N/m² (1,000 psi) - Soil modulus

$P = 69,000$ N/m² (10 psi) - Service pressure at the crown of the pipe

$$\frac{\Delta Y}{D} = \frac{D_L \cdot K \cdot P}{0.149 \cdot (PS) + 0.061 \cdot (E')} \cdot 100 \text{ percent} \quad (6-3)$$

$$\frac{\Delta Y}{D} = 3.90\% \text{ - Pipe deflection}$$

Wall Stress (Crushing)

$P_{ST} = 68,950 \text{ N/m}^2$ (1,440 psf) - Short-term pressure at the crown of the conduit

$P_{LT} = 68,950 \text{ N/m}^2$ (1,440 psf) - Long-term pressure at the crown of the conduit

$f_i = 3.03 \cdot 10^9 \text{ N/m}^2$ (440,000 psi) Initial tensile strength of the pipe material

$f_{50} = 1.09 \cdot 10^9 \text{ N/m}^2$ (158,400 psi) - 50-year tensile strength of the pipe material

$D = 0.3 \text{ m}$ (1 ft) - Diameter of pipe

$$T_{ST} = D \cdot \frac{P_{ST}}{2} = 10,343 \text{ N/m (720 lbf/ft)} \quad \text{- Short-term wall thrust} \quad (6-4)$$

$$T_{LT} = D \cdot \frac{P_{LT}}{2} = 10,343 \text{ N/m (720 lbf/ft)} \quad \text{- Long-term wall thrust} \quad (6-5)$$

$$A \geq 2 \cdot \left(\frac{T_{ST}}{f_i} + \frac{T_{LT}}{f_{50}} \right) \cdot 10^6 \quad A = 25.8 \text{ mm}^2/\text{m (0.0124 in.}^2/\text{ft)} \quad \text{- Wall area} \quad (6-6)$$

Ring Buckling

$H = 3 \text{ m}$ (10 ft) - Height of soil above the crown of the pipe

$H_w = 6 \text{ m}$ (20 ft) - Height of water above the crown of the pipe

$R = 0.3 \text{ m}$ (12 in.) - Mean radius

$$B = 1 - 0.33 \cdot \frac{h_w}{h} \quad \text{Buoyancy factor } B = 0.34$$

$E = 9.65 \cdot 10^8 \text{ N/m}^2$ (140,000 psi) - 50-year Modulus of elasticity

$M_s = 11.72 \cdot 10^6 \text{ N/m}^2$ (1,700 psi) - Soil modulus

$A = 3,050 \text{ mm}^2/\text{m}$ (1.44 in.²/ft) - Wall area

$I = 42,610 \text{ mm}^4/\text{m}$ (0.0026 in.⁴/in.) - Moment of inertia of the wall section

$$f_{cr} = \frac{0.77 \cdot R}{A} \cdot \sqrt{\frac{B \cdot M_s \cdot E \cdot I}{0.149 \cdot R^3}} \quad \text{N/m}^2 \quad (fa* 12 \text{ (psi)}) \quad \text{- Wall buckling stress} \quad (6-7)$$

$$f_{cr} = \frac{f_a FS}{2} = 2 f_{cr} = 7.6424 \cdot 10^6 \text{ N/m}^2 \text{ (1,096 psi)}$$

Hydrostatic Buckling

$\nu = 0.39$ Poisson's ration

$K = 1.5 (10)^{-12}$ SI, 216 non-SI

$$P_{cr} = C \left(\frac{KEI}{(1 - \nu^2)R^3} \right) \cdot 0.7 \text{ N/m}^2 \text{ (psf)} - \text{Buckling stress} \quad (6-8)$$

$C = \text{Ovality} = 0.7$ for 4 percent deflection

$P_{cr} = 1,886 \text{ N/m}^2$ (37.3 psf) - Field stress or radial pressure from the water

Wall Strain Cracking

$t_{max} = 6 \text{ mm}$ (0.25 in.) - Thickness of pipe wall

$D = 250 \text{ mm}$ (10 in.) - Pipe diameter

$\frac{\Delta Y}{D} = 3.9\%$ Ratio of pipe deflection to pipe diameter

$$\epsilon_b = \frac{t_{max}}{D} \cdot \left[\frac{0.03 \cdot \frac{\Delta Y}{D}}{1 - \left(0.02 \cdot \frac{\Delta Y}{D} \right)} \right] \text{ mm/mm (in./in.)} - \text{Wall strain} < \text{strain limit}/2 \quad (6-9)$$

$\epsilon_b = 0.003 < 0.05/2 = 0.025$ OK

Chapter 7: Ductile Iron Pipe and Steel Pipe for Other Applications

Earth Load Limited by:

Bending Stress

$$f = 3.31 \cdot 10^8 \text{ N/m}^2 \text{ (48,000 psi) - Design stress}$$

$$t = 6 \text{ mm (0.25 in.) - Wall thickness}$$

$$D = 250 \text{ mm (10 in.) - Pipe diameter}$$

$$E = 165.5 \cdot 10^9 \text{ N/m}^2 \text{ (24,000,000 psi) - Modulus of elasticity}$$

$$E' = 3.45 \cdot 10^6 \text{ N/m}^2 \text{ (500 psi) - Soil modulus DIPRA Type 4 bedding}$$

$$K_b = 0.157 \text{ Bending moment coefficient}$$

$$K_x = 0.096 \text{ Deflection coefficient}$$

$$\Delta x/D = 0.03 \text{ Deflection limit}$$

$$P_v = \frac{f}{3 \left(\frac{D^2}{t^2} - \frac{D}{t} \right) \left[K_b - \frac{K_x}{\left[\frac{8E}{E'} \right]^3 + 0.732} \right]} \quad (7-1)$$

$$P_{v1} = 458,267 \text{ N/m}^2 \text{ (10,279 psf)}$$

Deflection

$$P_v = \left(\frac{\Delta x/D}{12K_x} \right) \left(\frac{8E}{\left(\frac{D}{t_m} - 1 \right)^3} + 0.732 E' \right) \quad (7-2)$$

$$P_{v2} = 578,439 \text{ N/m}^2 \text{ (12,061 psf)}$$

Chapter 8: Pipe Jacking

$B_t = 1.2$ m (4 ft) - Diameter of pipe

$w = 18,850$ N/m³ (120 pcf) - Unit weight of soil

$K_\mu = 0.130$ Soil constant

$H = 15$ m (50 ft) - Height of soil

$c = 4,790$ N/m² (100 psf) - Cohesion

$$C_t = 1 - \frac{\exp\left[-2 \cdot K_{\mu'} \cdot \left(\frac{H}{B_t}\right)\right]}{2 \cdot K_{\mu'}} \quad \text{Load coefficient} \quad (8-2)$$

$C_t = 0.8509$ Load coefficient

$$W_t = C_t \cdot w \cdot B_t^2 - 2 \cdot c \cdot C_t \cdot B_t \quad \text{N/m (lb/ft)} - \text{Earth load on pipe} \quad (8-1)$$

$W_t = 13,314$ N/m (953 lb/ft)

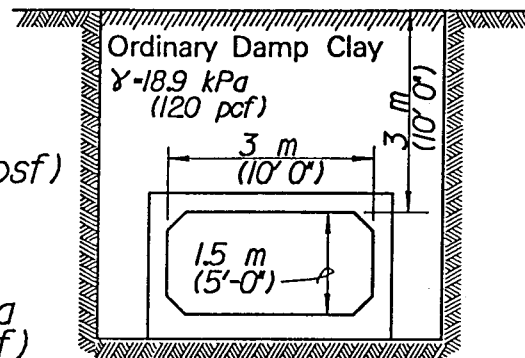
Rectangular Conduit (Trench) - Cast-In-Place

Vertical Pressure

$$W_e = 18.9 (3) = 57.6 \text{ kPa (1,200 psf)}$$

$$P_{e_T} = \frac{57.6}{3} = 19.2 \text{ kPa (400 psf)}$$

$$P_{e_b} = \frac{4.5 \text{ m (19.2)}}{3.0 \text{ m}} = 28.8 \text{ kPa (600 psf)}$$



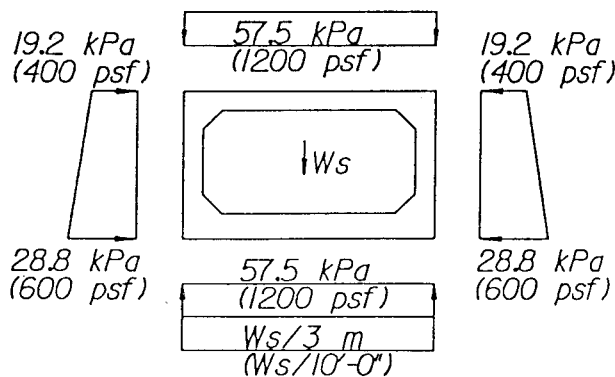
BOX

W_s = Weight of Structure
kN-m (plf)

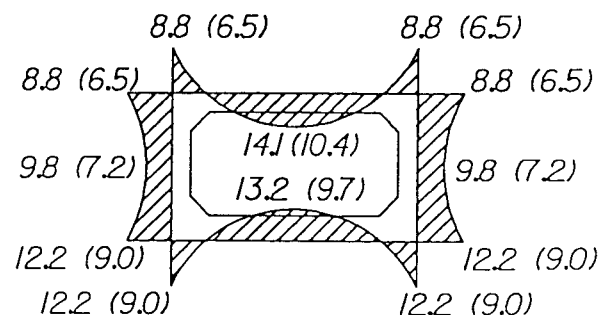
Next calculate FEM's and distribute to design section.
Use load factors from EM 1110-2-2104.

Other Computer programs that can be used to analyze this shaped culvert include CANDE (Culvert Analysis Design), CORTCUL (Design or Investigation of Orthogonal Culverts)

Standard reinforcement for rectangular sections is included in ASTM C789 and C850.



LOADING DIAGRAM



MOMENT DIAGRAM

kN-m
(K-ft)

Oblong Conduit (Trench) - Cast-In-Place

Vertical Pressure

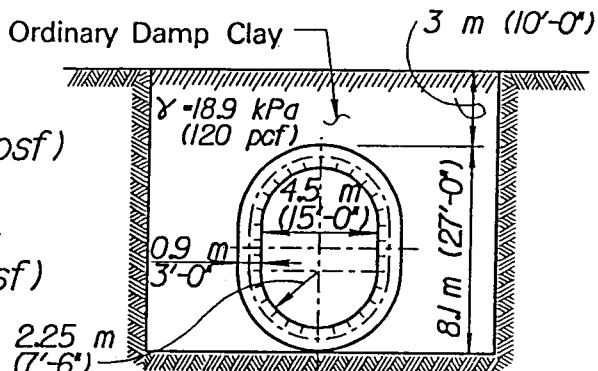
$$W_e = 18.9 (3) = 57.6 \text{ kPa (1,200 psf)}$$

$$P_{e_T} = \frac{57.6}{3} = 19.2 \text{ kPa (400 psf)}$$

$$P_{e_b} = \frac{11.1 \text{ m (19.2)}}{3.0 \text{ m}} = 71.0 \text{ kPa (1500 psf)}$$

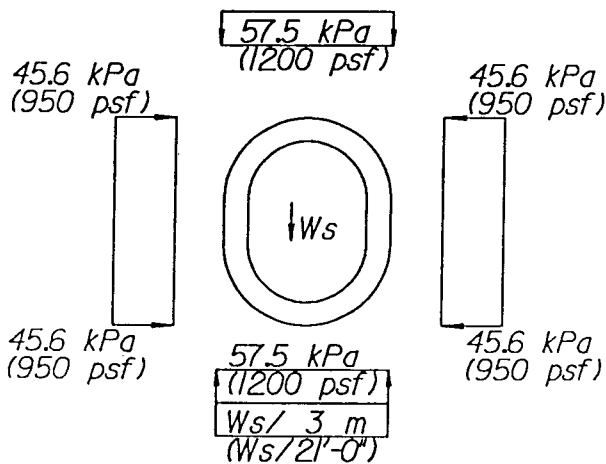
$$W_{avg} = \frac{(P_{e_T} + P_{e_b})}{2} = \frac{45.6 \text{ kPa (950 psf)}}{2} \quad (7'-6")$$

W_s = Weight of Structure
kN-m (plf)

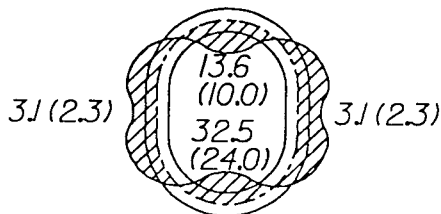


OBLONG PIPE

Moments and shears for this section were calculated using the computer program STAAD III. Other finite element computer programs work as well.



LOADING DIAGRAM



MOMENT DIAGRAM

kN-m
(K-ft)

Appendix C Evaluation and Inspection of Existing Systems

This appendix will be completed when data become available in the future. The outline below presents a list of key features that need to be considered when evaluating and inspecting existing systems.

C-1. Site Inspection

- a. Surface settlement.*
- b. Surface water.*
- c. Dip in pavement.*
- d. Settlement of manholes or control structure.*

C-2. Interior Inspection

- a. Visual inspection.*
- b. Camera inspection.*

- c. Smoke testing.*
- d. Infiltration.*
- e. Exfiltration.*
- f. Piping.*

C-3. Failures

- a. Leaking joints.*
- b. Separated joints.*
- c. Crushed pipe wall.*
- d. Perforated pipe wall.*
- e. Misaligned pipe sections.*
- f. Root penetration of pipe.*
- g. Material deposition.*
- h. Change in loading condition.*

Appendix D Repair of Existing Systems

This appendix will be completed when data become available in the future. The outline below lists some methods to repair existing systems.

D-1. Pipe Replacement

D-2. Slip Lining

D-3. In-Place Fracturing and Replacement

D-4. Concrete Relining

D-5. Plastic Relining and Grouting

D-6. Jacking Pipe

Appendix E Metric Conversion Data Sheet

Quantity	Unit	Symbol
length	meter	m
mass	kilogram	kg
time	second	s
force	newton	$N = \text{kg m/s}^2$
stress	pascal	$\text{Pa} = \text{N/m}^2$
energy	joule	$J = \text{N}\cdot\text{m}$

Metric Conversions

Multiply	By	To Obtain
Area and Volume		
ft^2	0.092 903	m^2
ft^3	0.028 136 847	m^3
gal	0.003 785 412	m^3
in.^2	645.160 000	mm^2
Section Modulus		
in.^3	16 387.064	mm^3
Moment of Inertia		
in.^4	416 231.430	mm^4
Length		
foot (ft)	304.800	millimeters (mm)
inch (in.)	25.400	millimeters (mm)

Multiply	By	To Obtain
Mass		
kg (force/mass)	9.806 650	N
pound-mass (lbm)	0.453 592	kilogram (kg, mass)
Force		
pound-force (lbf)	4.448 222	N
lbf/ft	14.593 903	N/m
Torque		
lb-in.	0.112 985	N-m
lb-ft	1.355 818	N-m
Pressure and Density		
foot of water	2.988 980	kPa
g/cm^3	62.427 900	pcf
g/cm^3	9.806 650	kN/m^3
kg/cm^2	98.066 500	kPa
ksi	6.894 757	MPa, N/mm^2
pcf	16.018 460	kg/m^3
pcf	157.087 616	N/m^3
psf	47.880 260	Pa
psi	6.894 757	kPa